

# L&S

Integrated lighting solutions  
and smart control systems

# Selection 2026



**G\* GRASS**



# L&S

Integrated lighting solutions  
and smart control systems

# Selection 2026



**G\* GRASS**

2 Graph Avenue, Montague Gardens, Cape Town

# We make your projects shine

## One international Group, for serving the global market

L&S Italia S.p.A., founded in 1977 in Maron di Brugnera (PN) in the heart of Italy's largest furniture district, is today the Headquarters of the L&S Group. We are a leader in the design and production of integrated, high-efficiency, and custom-made lighting systems and solutions, ideal for residential, industrial, and commercial applications (e.g. retail, hospitality).

Our clients include the most prestigious furniture manufacturers (e.g. kitchens, wardrobes, bathrooms, living room furniture), distributors, retailers, and shopfitters, as well as manufacturers of home appliances (kitchen hoods), elevators, and escalators. To all of them, we offer unique and innovative solutions to enhance their collections.

Thanks to the high quality of our production activities, our ability to offer a tailored service, and continuous investments

in technological research, we have progressively expanded our presence in foreign markets, consolidating our role as a strategic point of reference in Europe for furniture lighting.

Furthermore, with the addition of new companies to the Group starting in 2025—Visplay and Flux—we have significantly expanded our portfolio of lighting technology and modular solutions for commercial projects. This allows us to offer a unique international service with customized design solutions for every client.

The L&S Group today employs a staff of over 550 people and has an international footprint with 7 production plants across Italy, Germany, China, and the United States, serving partners in more than 50 countries worldwide.

### Light&Space

**Visplay**, headquartered on the Vitra Campus in Germany, is a benchmark in the development and production of quality electrified modular structures.

**Flux**, headquartered in Recanati, Italy, specializes in high-end, bespoke lighting technology solutions.

A world map rendered in a light, hatched style. Several white dots are scattered across the map, representing global locations. Overlaid on the map are the logos for 'visplay', 'L&S Lighting Intelligence', and 'FLUX'.

**visplay**

**L&S** Lighting Intelligence

**FLUX**  
Future Color Universal Technology

Sustainable design

In-house testing laboratories

Smart Home ecosystem

Innovative patented solutions

International certifications

**Global platform**

for production and logistics

**Integration**

with new technologies and protocols

# Index

## Linear Lighting

<b>FREE CUT SOLUTIONS</b>	<b>LINEAR PROFILES</b>	<b>SMD LED REELS</b>
Free cut family p.8	Mec Professional p.32	SMD Reels p.46
Moove 2 p.14	Bel xT-L Vela p.36	Electrification p.47
Moove 3 p.18	Bel xT-L p.38	Switching systems p.48
Moove 4 p.22	Bel xT p.39	<b>COB LED REELS</b>
Moove 5 p.26	Mec 1 p.40	COB Reels p.50
	Mec 3 p.42	Electrification p.52
	Mec 5 p.43	
	Mec 2 p.44	
	Mec 4 p.45	

## Spotlights

<b>RECESSED SPOTLIGHTS</b>
Sunrise p.56
<b>SURFACE-MOUNTED SPOTLIGHTS</b>
Planar S p.58
Key T p.60

## Power supply and Control

<b>POWER SUPPLY PLATFORM</b>	<b>REMOTES</b>
Mec Lite p.64	Lite SENSOR p.74
	Lite REMOTE p.76
<b>CONTROL MODULES</b>	<b>CONTROL SYSTEMS</b>
Lite MT MATTER p.71	Mini IR p.77
Wired C p.72	



# Moove

## The free cut family

"Free cut" lamps collection,  
customizable to the millimeter, to be  
independently assembled

Moove is a versatile DIY lighting system, ideal for enhancing any furniture in an easy and intuitive way. The collection includes various aluminum profiles that can be cut to size, supplied in 3m lengths complete with a polycarbonate diffuser: each profile incorporates a new state of the art "free cut" LED strip, **which can be cut together with the profile at any point without cutting pitch constraints or loss of functionality**. A solution with no material wasting, in which each cut section can be used, by means of practical "plug&play" power connectors, to create customized lamps down to the millimeter with a "full light" effect without shadow areas.

---

**IDEAL FOR**

- Wardrobe cabinets
- Undercabinet
- Shelf

**FEATURES**

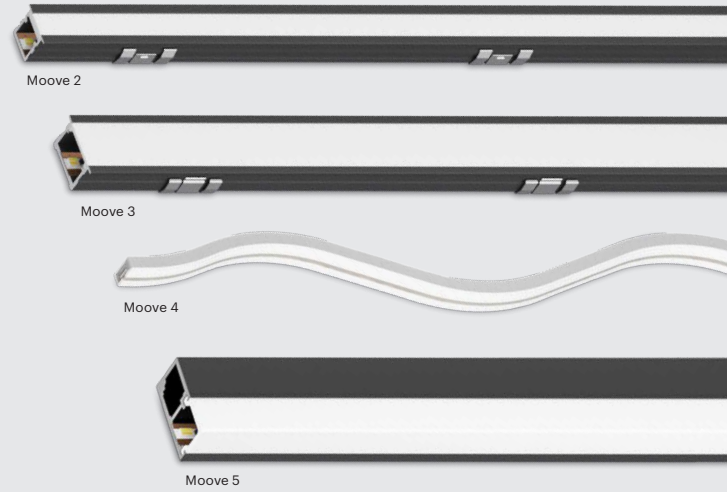
- "plug&play" system
- easy installation/  
replacement
- cuttable to size
- integrated control



# A complete range for every need

The Moove lamp collection includes various lighting solutions: a complete range of products to enhance furniture, for horizontal or vertical installation.

**Moove 2** is a small dimensions recessed profile with adjustable light beam, ideal for vertical installations inside the cabinet's sides; **Moove 3** is a versatile recessed profile, complete with various accessories for use in any environment; **Moove 4** is a flexible LED Reel for recessed installation, only 4mm wide, whilst **Moove 5** is the ideal solution for lighting drawers or inside kitchen base units.



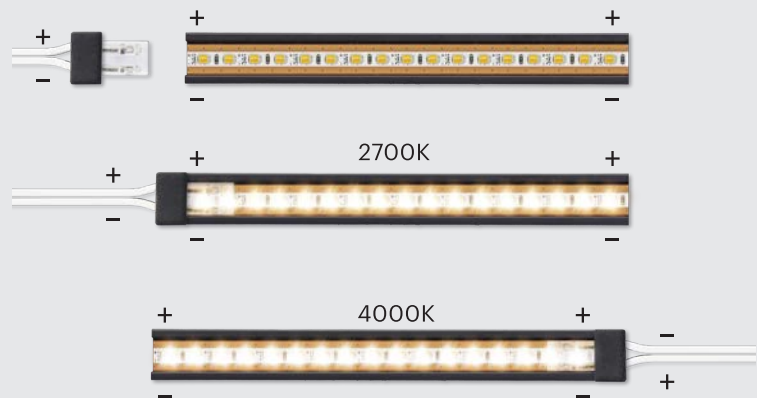
# Plug & play power supply, integrated control and accessories

The cabled plug & play power connector, available for each Moove version, allows the creation of customized lamps in a simple, intuitive and safe way: a solution without the need to solder the LED that makes the installation of the device in the cabinet easier, also facilitating its possible replacement. The new integrated controls systems, functional and elegant, widen the lamp's installation scenarios, while the range of accessories allows the in-line connection of multiple lamp sections, an intelligent solution that avoids material waste.

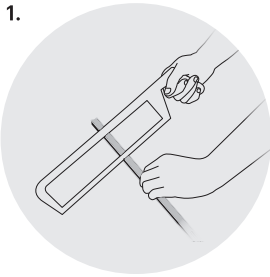


# Preassembled Dual Color LED, "full light" without shadows

DIY lamps customized to the millimeter, with "full light" effect without shadow areas thanks to the pre-assembled LED Strip, cuttable at any point without loss of functionality together with the profile. **The color temperature varies from 2700K to 4000K by inverting the insertion side of the power connector** or via remote light control systems.



# Cut, connect... create!



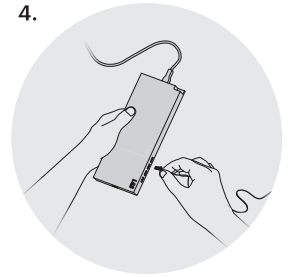
1. Cut the profile to size together with the diffuser



2. Carefully remove any aluminum burrs, dust, debris or shavings

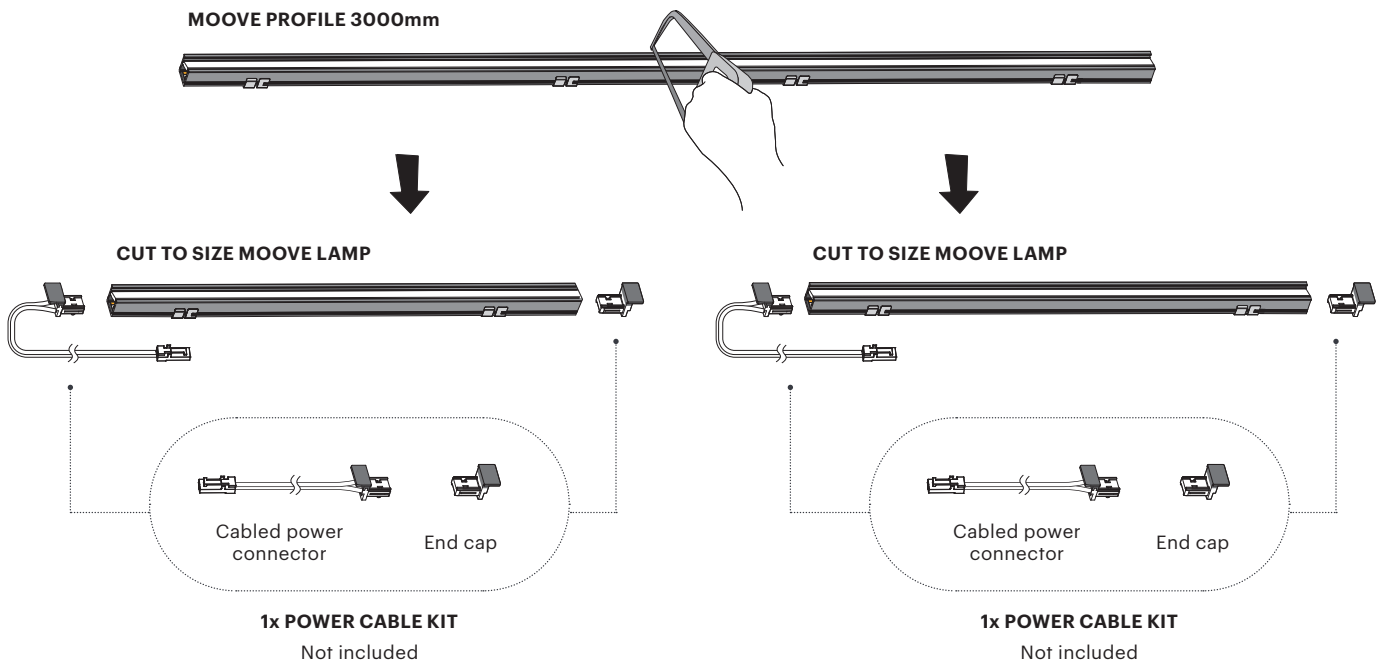


3. Use the plug & play Power Kit to assemble the lamp



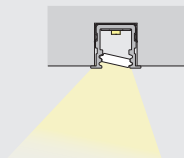
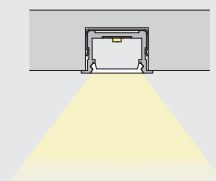
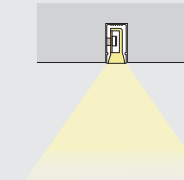
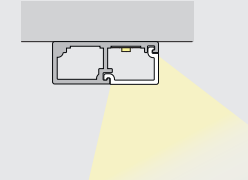
4. Connect MOOVE to the MEC Lite power supply system

Each cut section can be used to assemble customized lamps down to the millimeter



**Note for cutting Moove profiles:** use tools suitable for aluminum cutting and execute a precise and clean cut, carefully removing any aluminum burrs, dust, debris or shavings

# Free Cut Family

		Power supply and accessories					Optional switching systems			
		PLUG & PLAY Power connector	Bridge	L - Connector	Soft Link	Fixing clip	IRS IR Sensor	PIR Motion sensor	TCS Touch Switch	IRD Door Sensor
<p><b>Moove 2</b> <small>P.14</small></p> <p>RECESSED MOUNTING</p> <p>Adjustable light beam orientation</p> 		●	●	●		●				
<p><b>Moove 3</b> <small>P.18</small></p> <p>RECESSED MOUNTING</p> <p>Direct light emission</p> 		●	●	●		●	●	●		
<p><b>Moove 4</b> <small>P.22</small></p> <p>RECESSED MOUNTING</p> <p>Flexible LED Reel with direct light emission</p> 		●			●					
<p><b>Moove 5</b> <small>P.26</small></p> <p>SURFACE MOUNTING</p> <p>Direct light emission</p> 		●				●			●	



# Moove 2 FREE CUT



Cuttable to size recessed lamp with adjustable light beam orientation.



## FREE CUT - PLUG&PLAY

3000mm aluminium profile, complete with integrated LED and removable / repositionable opal diffuser for light beam orientation adjustments and anti-glare effect.

Can be cut to size freely at any point without losing LED functionality: each cut section can be used to create a lamp by means of power cable KIT or plug & play switching systems (not included).

## INTENDED USE

Ideal for lighting shelves and wall units or, installed vertically in the side panels, for lighting the interior of tall units, wardrobes and cabinets.

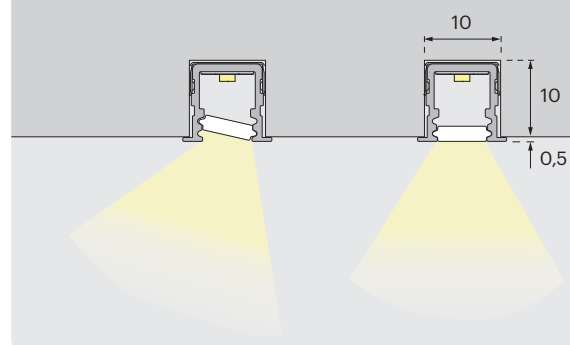
## ACCESSORIES

- Integrable plug & play IRS sensors.
- Accessories for in-line connection of multiple lamp segments.

## FINISHES

Available in black finish.

## SECTION 1:1 (mm)



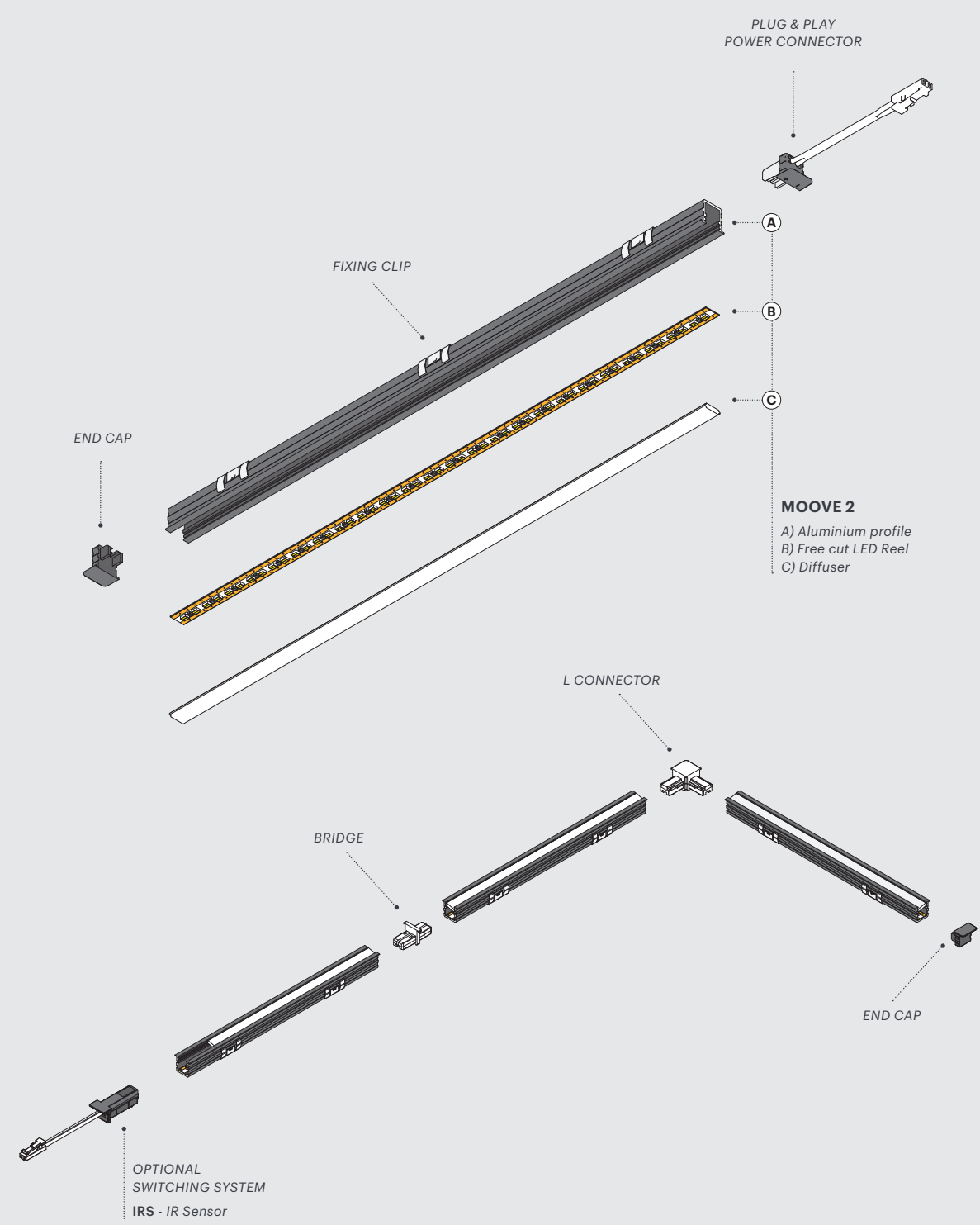
## BLACK

03

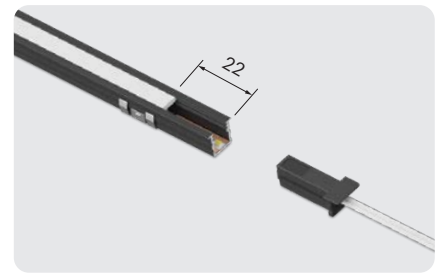


**WDC DUAL COLOR** 

Color temperature varies from 2700K to 4000K by reversing the insertion side of the power connector or the chosen optional switching system.



# Moove 2 FREE CUT



## SWITCHING AND CONTROL SYSTEMS

### WITHOUT SWITCHING SYSTEM

On-Off control via switched outlet.

Color temperature varies from 2700K to 4000K by reversing the insertion side of the power connector or the chosen optional switching system.

Can be used with Smart Home control solutions, transmitters or cabled switching systems for On-off, dimming and color temperature adjustment.



## POWER SUPPLY

MEC Lite  
 "Ready-to-light"  
 power supply system  
 with integrated distributor.  
 NOT INCLUDED



## MOOVE 2

WDC Light Source.

Aluminium profile with integrated LED and diffuser. Without switching system.

Purchase separately (side page) the following accessories, required to complete the Moove 2 profile:

- Power Cable KIT
- Fixing Clips

## WDC DUAL COLOR

24 V

LED 10W/m

2700K÷4000K

162÷169 lm/m

CRI>90



## FINISH

black

## L

3000 mm

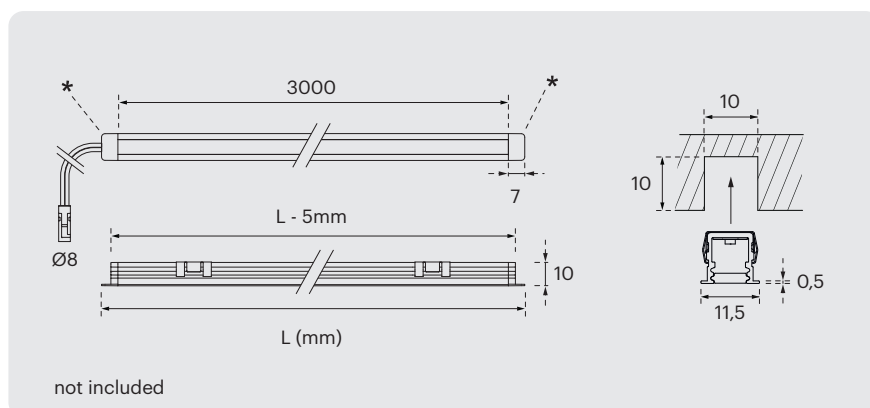
## W

30W

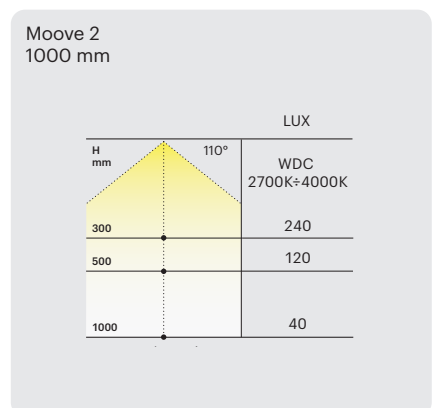
## CODE

561500001

## (mm)



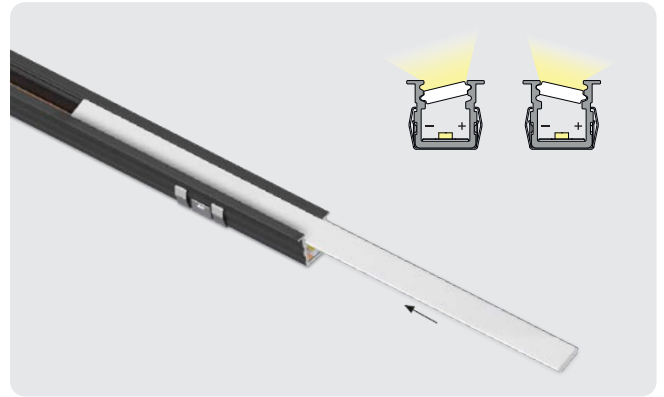
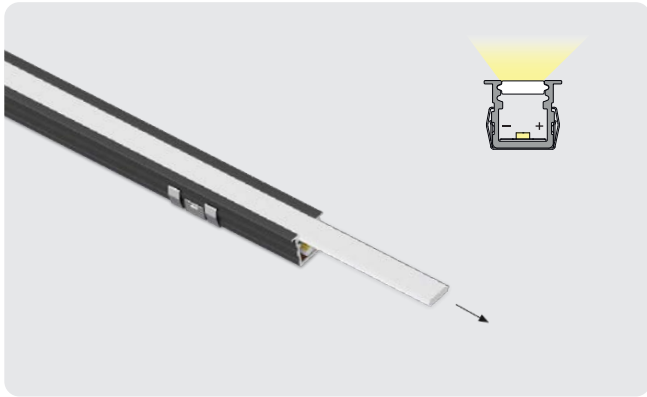
## ILLUMINANCE



# Moove 2 FREE CUT

## ADJUSTABLE LIGHT BEAM ORIENTATION

Pull out and rotate the diffuser to change the direction of the light beam. The retracted tilted position of the diffuser ensures anti-glare effect.



## POWER CABLE KIT

KIT with cabled PLUG & PLAY power connector and plastic end cap. N°2 KITS are required to cut the profile into two custom lamps.



Cable 3000mm

940601820

## OPTIONAL SWITCHING SYSTEMS

KIT with 3000mm cabled PLUG & PLAY sensor and plastic end cap. Cut the screen 36mm shorter than the profile to insert the cabled sensor. MAX: 1,5A - 36W (Lamp up to 3600mm)

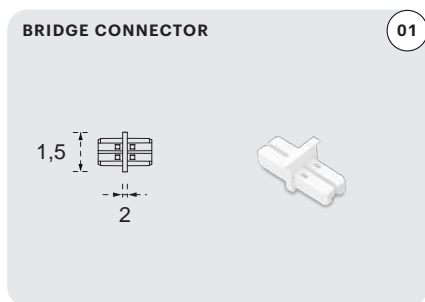


### IRS - INFRARED SENSOR

Proximity switch  
ON-OFF / DIMMER (10-100%)  
Range: 3-6cm

941300615

## ACCESSORIES

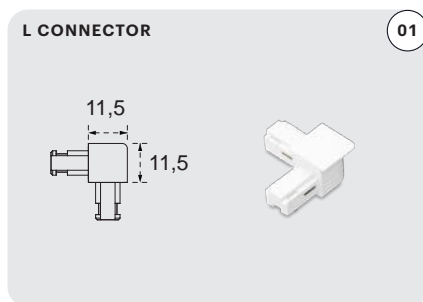


### BRIDGE CONNECTOR

01

For linear lamp-to-lamp connection

750300247

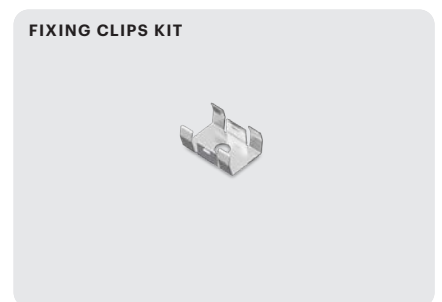


### L CONNECTOR

01

For lamp-to-lamp corner connection

750300246



### FIXING CLIPS KIT

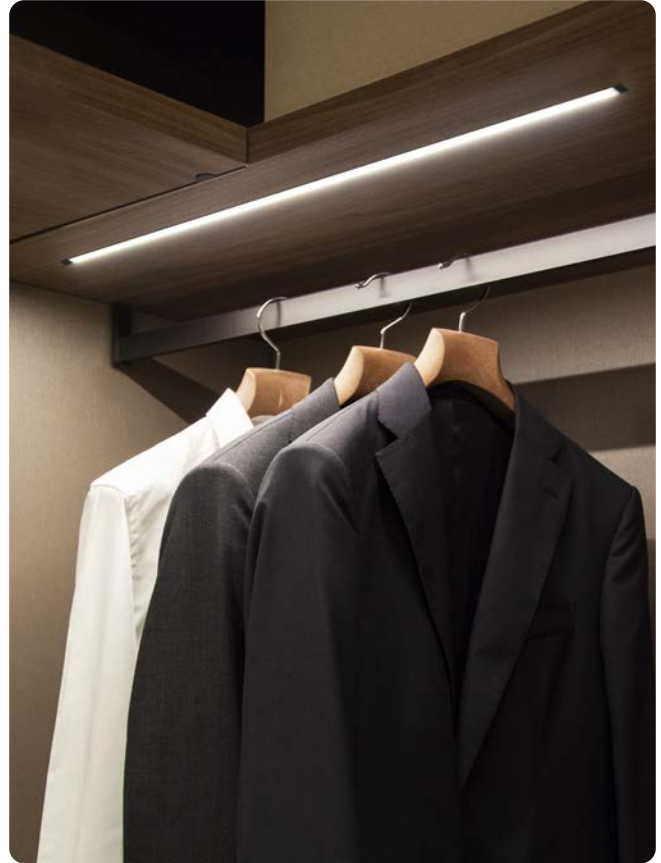
10 PCS  
(n°1 clip each 300mm)

600800262

# Moove 3 FREE CUT



Cuttable to size recessed mounted lamp with direct light beam.



## FREE CUT - PLUG&PLAY

3000mm aluminium profile, complete with integrated LED and pre-assembled opal diffuser.

Can be cut to size freely at any point without losing LED functionality: each cut section can be used to create a lamp by means of power cable KIT or plug & play switching systems (not included).

## INTENDED USE

Ideal for lighting shelves and the interior of wall units, wardrobes and walk-in closets.

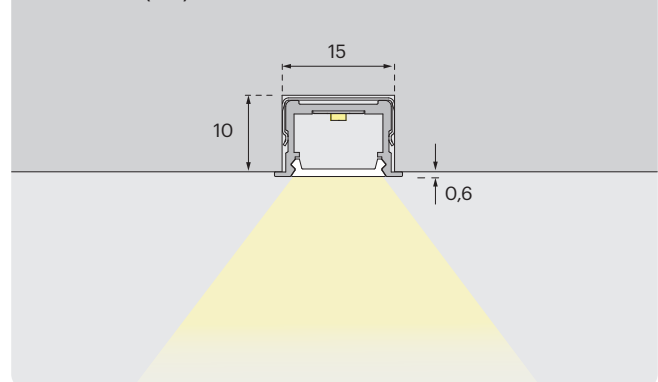
## ACCESSORIES

- Complete range of Integrable plug & play sensors: IRS / PIR / TCS
- Accessories for in-line connection of multiple lamp segments.

## FINISHES

Available in black finish.

## SECTION 1:1 (mm)



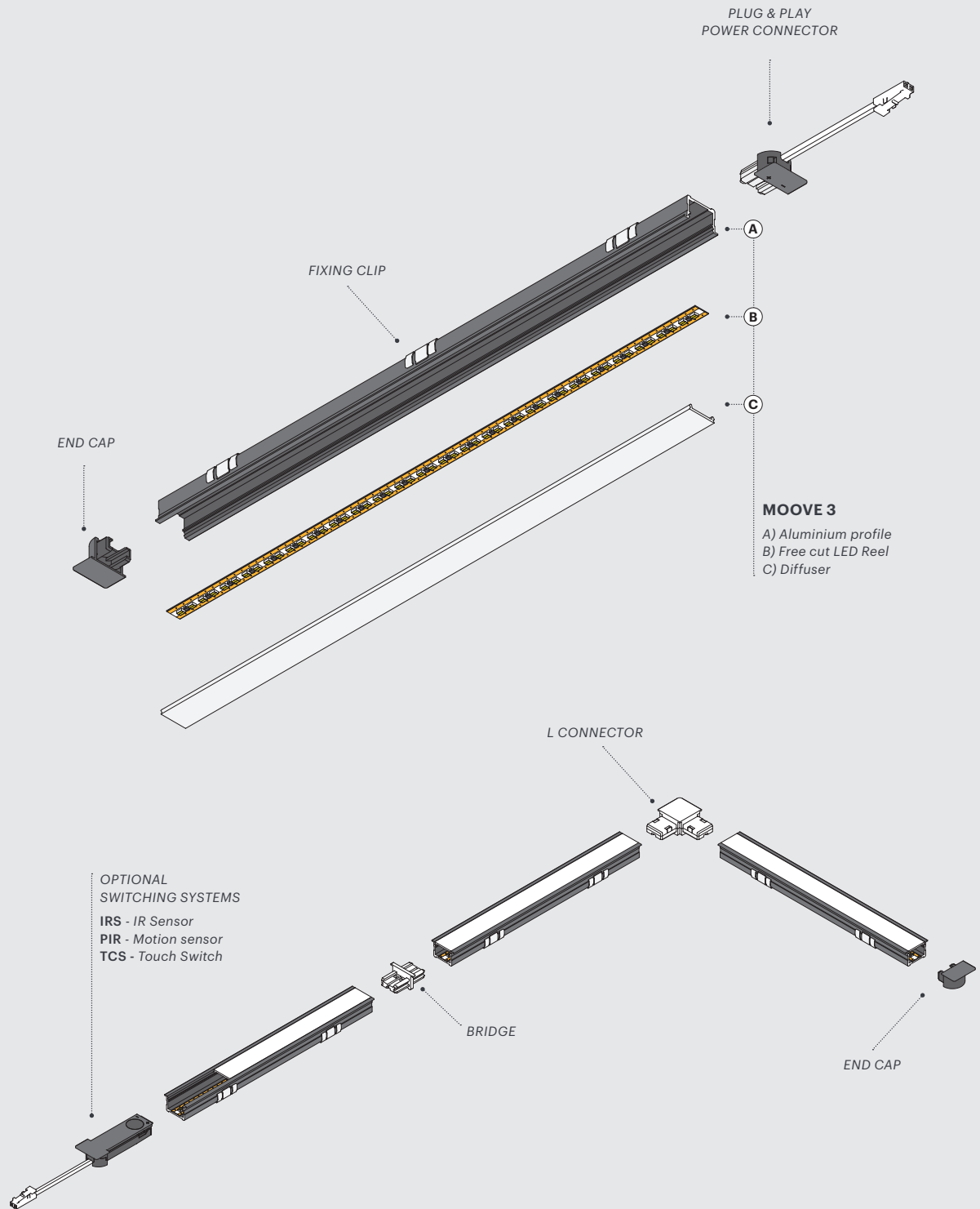
## BLACK

03



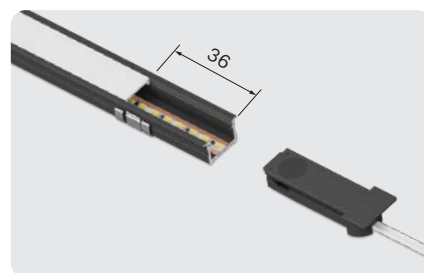
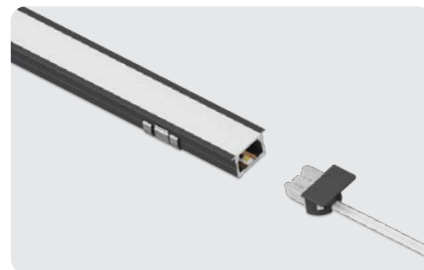
**WDC DUAL COLOR** 

Color temperature varies from 2700K to 4000K by reversing the insertion side of the power connector or the chosen optional switching system.



# Moove 3 FREE CUT

24 V WDC IRS PIR TCS



## SWITCHING AND CONTROL SYSTEMS

### WITHOUT SWITCHING SYSTEM

On-Off control via switched outlet.

Color temperature varies from 2700K to 4000K by reversing the insertion side of the power connector or the chosen optional switching system.

Can be used with Smart Home control solutions, transmitters or cabled switching systems for On-off, dimming and color temperature adjustment.



## POWER SUPPLY

MEC Lite  
 "Ready-to-light"  
 power supply system  
 with integrated distributor.  
 NOT INCLUDED

### MEC LITE

P.64



## MOOVE 3

WDC Light Source.

Aluminium profile with integrated LED and diffuser. Without switching system.

Purchase separately (side page) the following accessories, required to complete the Moove 3 profile:

- Power Cable KIT
- Fixing Clips

## WDC DUAL COLOR

24 V

LED 10W/m

2700K÷4000K

309÷322 lm/m

CRI>90



## FINISH

03 black

## L

3000 mm

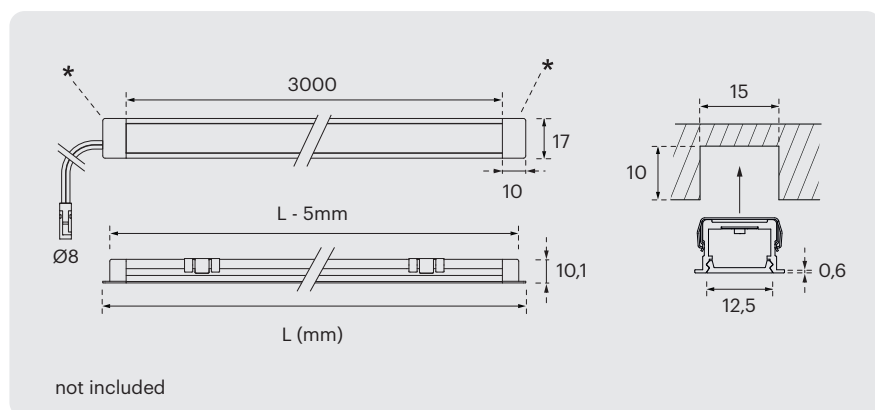
## W

30W

## CODE

561600001

## (mm)



## ILLUMINANCE

Moove 3  
 1000 mm

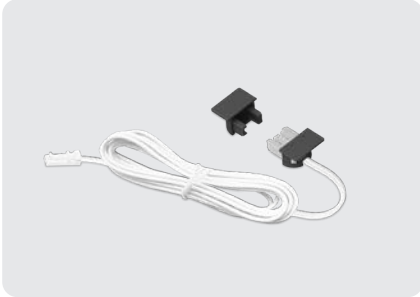
		LUX
H mm	300	470
	500	240
	1000	80

WDC 2700K÷4000K

# Moove 3 FREE CUT

## POWER CABLE KIT

KIT with cabled PLUG & PLAY power connector and plastic end cap .  
 N°2 KITS are required to cut the profile into two custom lamps.



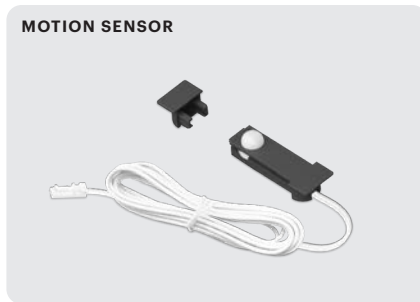
Cable 3000mm **940601821**

## OPTIONAL SWITCHING SYSTEMS

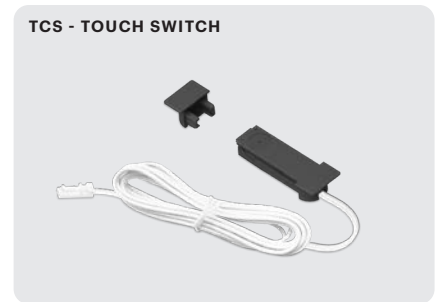
KIT with 3000mm cabled PLUG & PLAY sensor and plastic end cap.  
 Cut the screen 36mm shorter than the aluminium profile to insert the cabled sensor.  
 MAX: 3A - 72W (Lamp up to 7200mm)



**IRS - INFRARED SENSOR**  
 Proximity switch **941300616**  
 ON-OFF / DIMMER (10-100%)  
 Range: 3-6cm

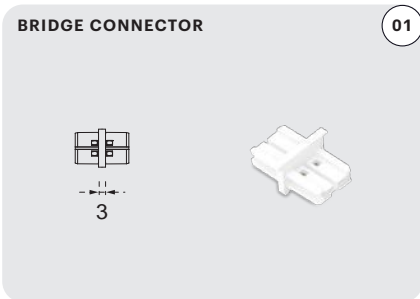


**MOTION SENSOR**  
 ON-OFF **941300614**  
 Detection range: 1-3m  
 Auto OFF: 45sec

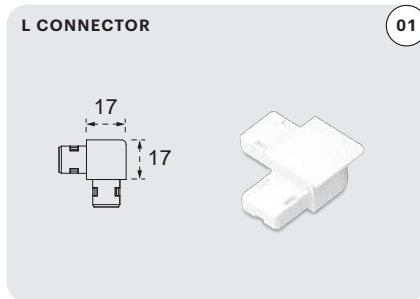


**TCS - TOUCH SWITCH**  
 ON-OFF **941300617**  
 DIMMER (10-100%)

## ACCESSORIES



**BRIDGE CONNECTOR** 01  
 For linear lamp-to-lamp connection **750300245**



**L CONNECTOR** 01  
 For lamp-to-lamp corner connection **750300244**

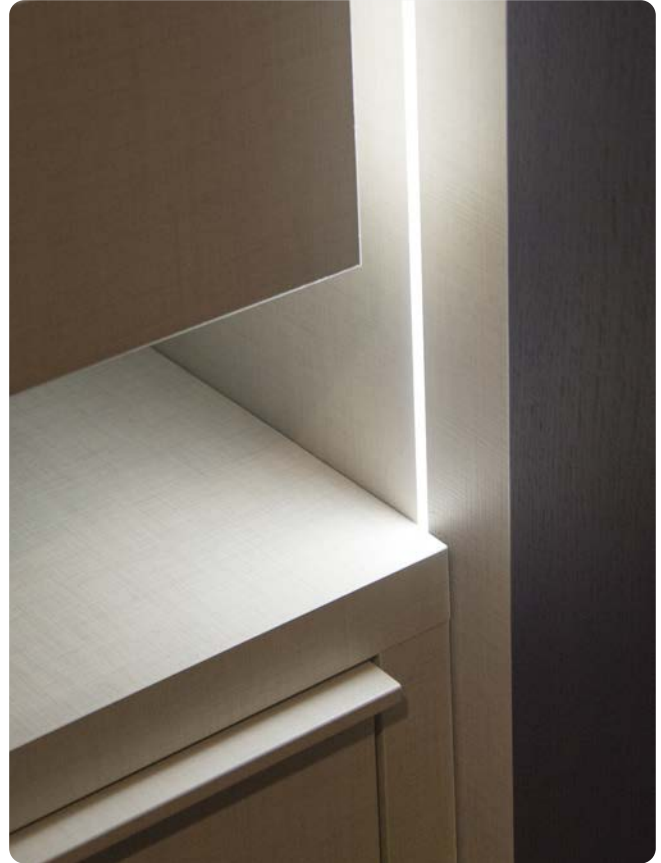


**FIXING CLIPS KIT**  
 10 PCS (n°1 clip each 300mm) **600800263**

# Moove 4 FREE CUT



Cuttable to size recessed mounted flexible LED Reel.



## FREE CUT - PLUG&PLAY

Can be cut to size freely at any point without losing LED functionality: each cut section can be used to create a lamp by means of power cable KIT or plug & play switching systems (not included).

Only 4mm wide, available in 5m and 20m reels.

## INTENDED USE

Maximum flexibility in creating a variety of shapes to emphasize the furniture's contours or, installed vertically in the side panels, for lighting the interior of tall units, wardrobes and cabinets.

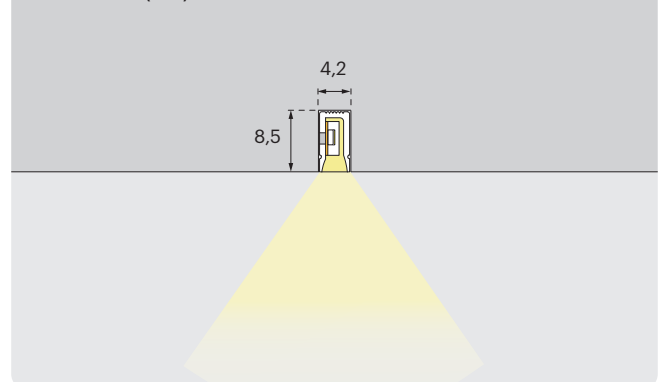
## ACCESSORIES

- Accessories for in-line connection of multiple lamp segments.

## FINISHES

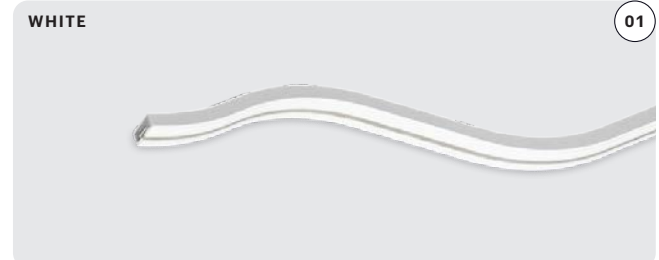
Available in white finish.

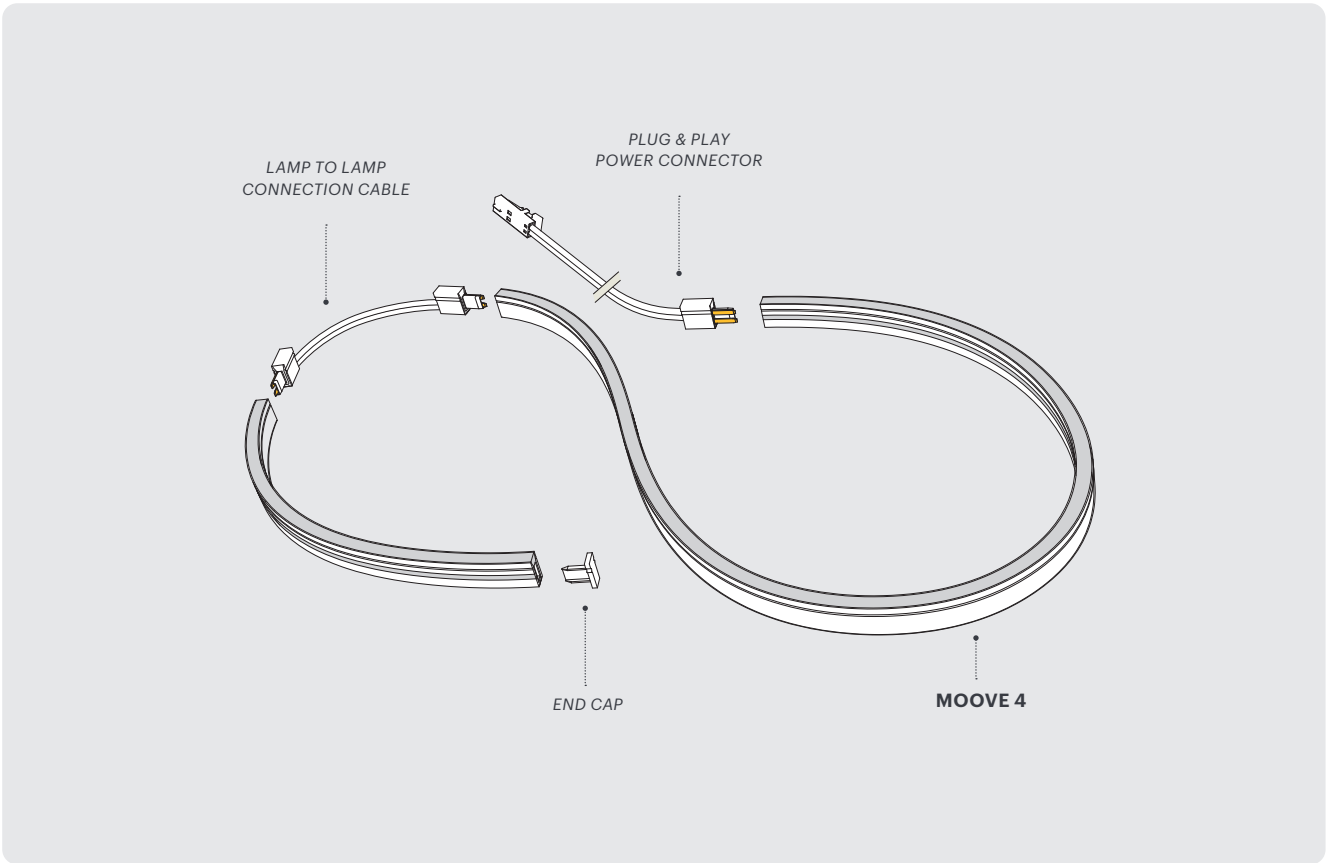
## SECTION 1:1 (mm)



## WHITE

01





# Moove 4 FREE CUT



## SWITCHING AND CONTROL SYSTEMS

### WITHOUT SWITCHING SYSTEM

On-Off control via switched outlet.  
EDC jumper cable included, for color temperature setting during installation.

Can be used with Smart Home control solutions, transmitters or cabled switching systems for On-off, dimming and color temperature adjustment.



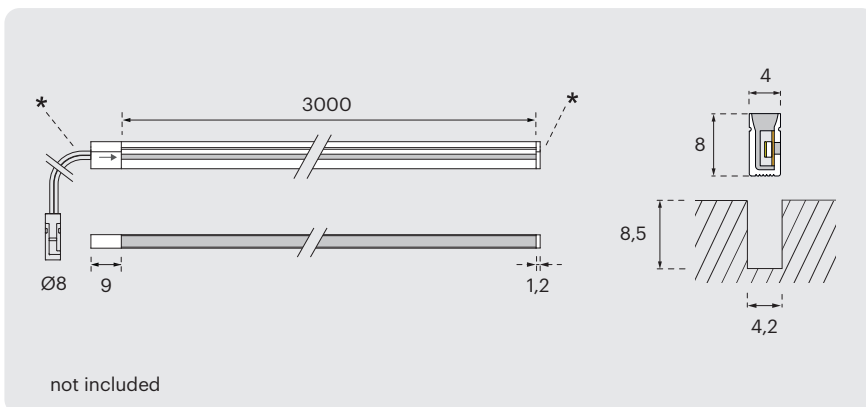
## POWER SUPPLY

MEC Lite  
"Ready-to-light"  
power supply system  
with integrated distributor.  
NOT INCLUDED

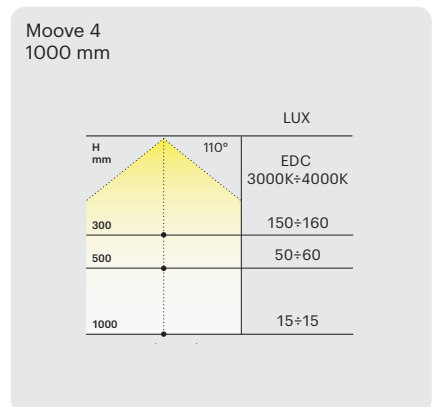


MOOVE 4	EDC DUAL COLOR	FINISH	L	W	CODE
EDC Light Source.		white	20 m	200W	<b>751101311</b>
Purchase separately (side page) the Power Cable KIT, required to complete the Moove 4 Strip.	LED 10W/m 3000K÷4000K 235 lm/m CRI>90 		5 m	50W	<b>751101329</b>

## (mm)

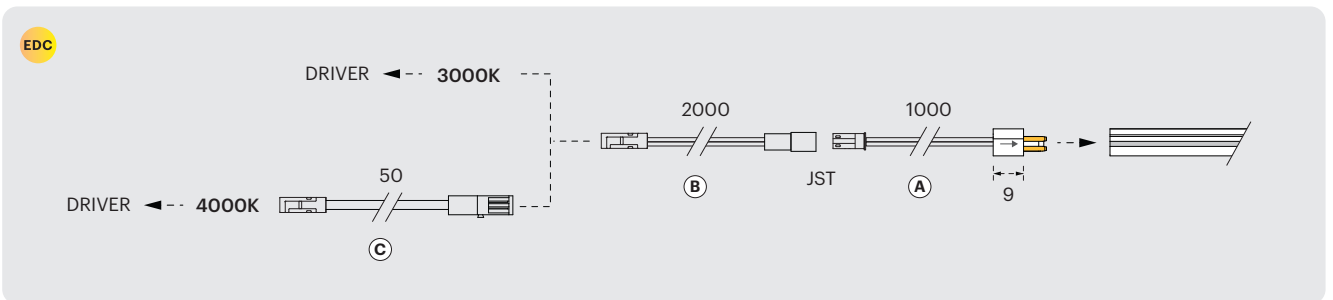
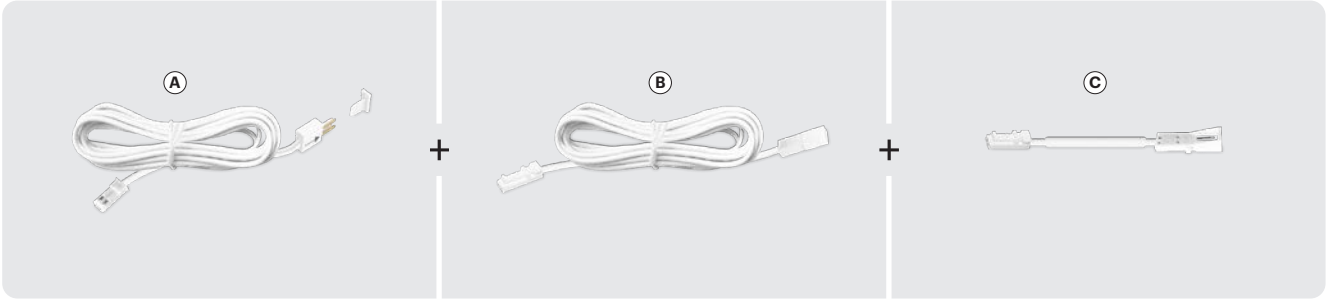


## ILLUMINANCE



# Moove 4 FREE CUT

## POWER CABLE KIT



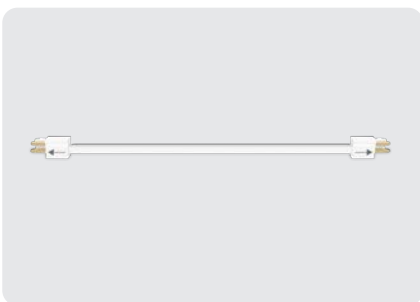
KIT includes:

- (A) 1000mm cabled PLUG & PLAY power connector and plastic end cap.
- (B) 2000mm extension for Driver connection.
- (C) 50mm EDC Jumper cable (to be applied at power cable's end for color temperature change).

600300198

N°2 KITS are required to cut the LED Reel into two custom lamps.

## ACCESSORIES



Lamp-to-lamp connection cable

940601923

# Moove 5 FREE CUT



Cuttable to size surface mounted lamp with direct light beam.



## FREE CUT - PLUG&PLAY

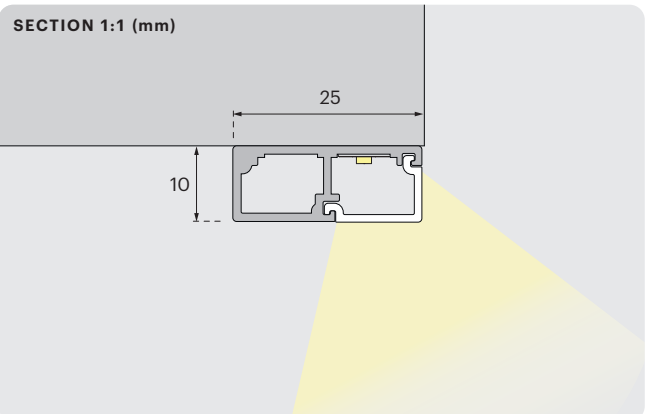
3000mm aluminium profile, complete with integrated LED and pre-assembled opal diffuser.

Can be cut to size freely at any point without losing LED functionality: each cut section can be used to create a lamp by means of electrification KIT and plug & play switching system (not included).

## INTENDED USE

Ideal for illuminating drawers and inside kitchen base cabinets; the light beam can be directed towards the inside or outside of the cabinet.

Easy installation with included fixing screws.

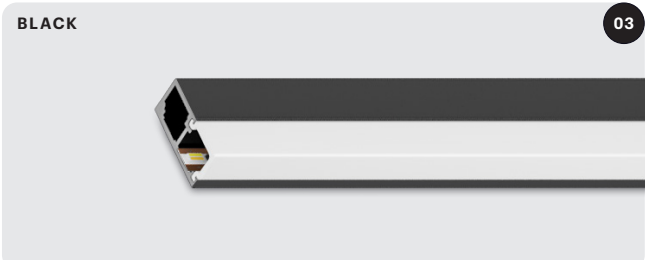


## ACCESSORIES

- IRD Door sensors
- Brackets for cabinet's sides fixing.

## FINISHES

Available in black finish.

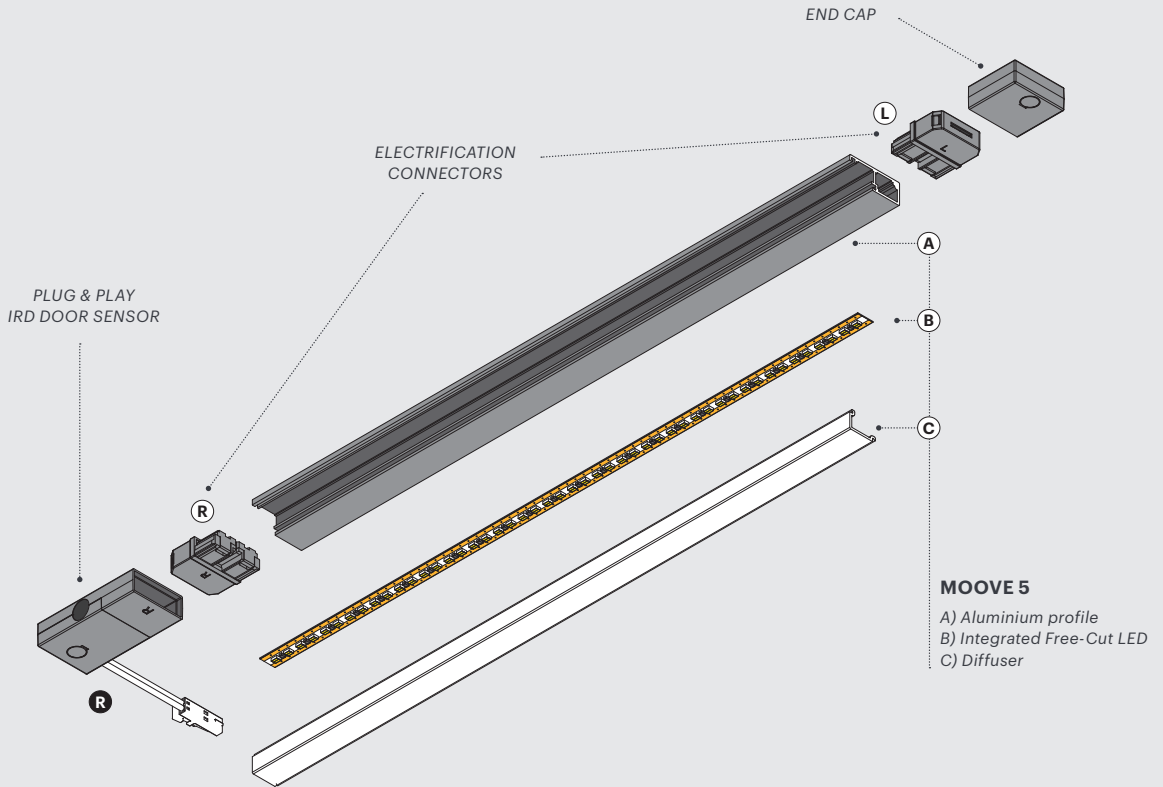


BLACK

03

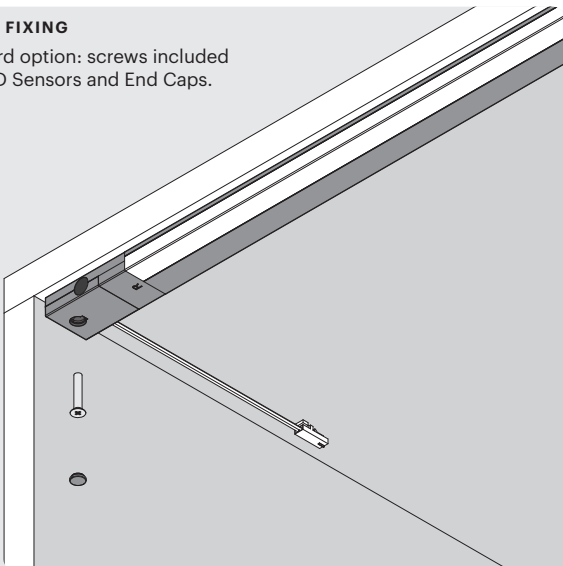
**WDC DUAL COLOR** 

Color temperature varies from 2700K to 4000K by reversing the insertion side of the chosen switching system.



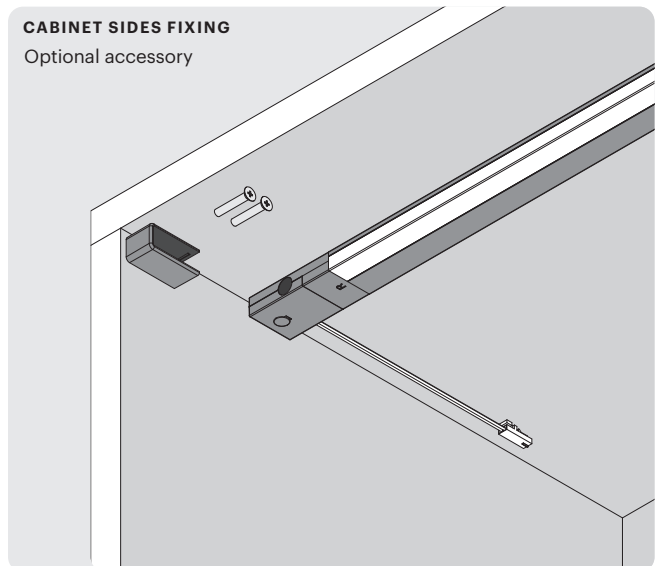
**SCREW FIXING**

Standard option: screws included with IRD Sensors and End Caps.

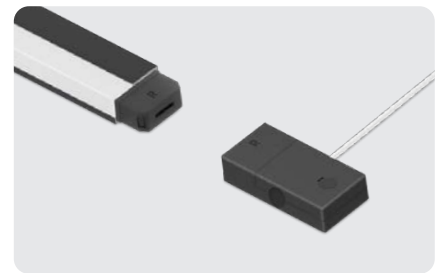
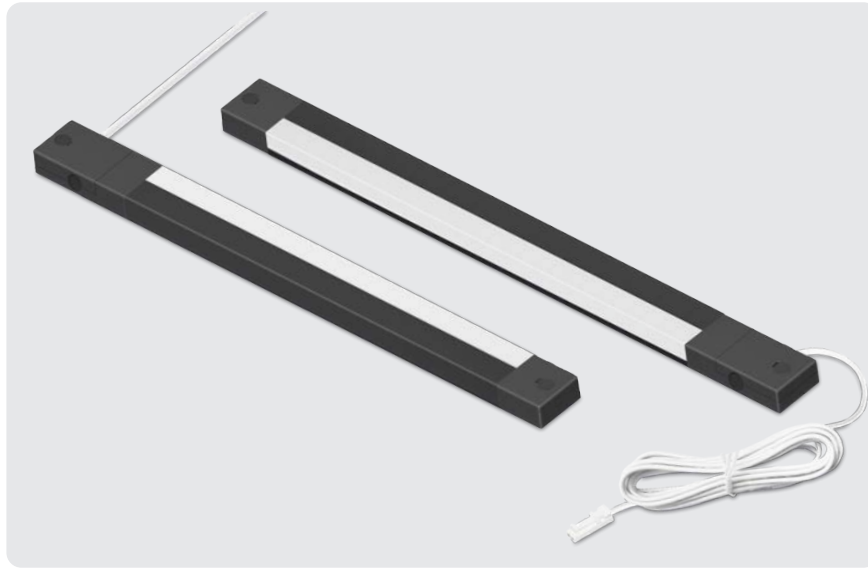


**CABINET SIDES FIXING**

Optional accessory



# Moove 5 FREE CUT



## SWITCHING AND CONTROL SYSTEMS

### INTEGRATED CONTROL

#### IR Door Sensor (IRD)

The color temperature varies from 2700K to 4000K by reversing the insertion side of the IRD sensor used (sold separately).



## POWER SUPPLY

MEC Lite  
 "Ready-to-light"  
 power supply system  
 with integrated distributor.  
 NOT INCLUDED



## MOOVE 5

WDC Light Source.

Aluminium profile with integrated LED and diffuser. Without switching system.

Purchase separately (side page) the following accessories, required to complete the Moove 5 profile:

- Electrification connector kit
- IRD Door sensor
- End cap

## WDC DUAL COLOR

24 V

LED 10W/m

2700K÷4000K

320 lm/m

CRI>90



## FINISH

black

## L

3000 mm

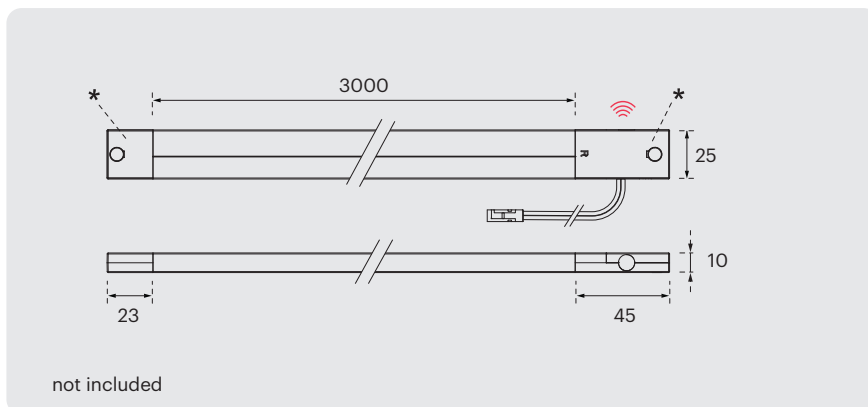
## W

30W

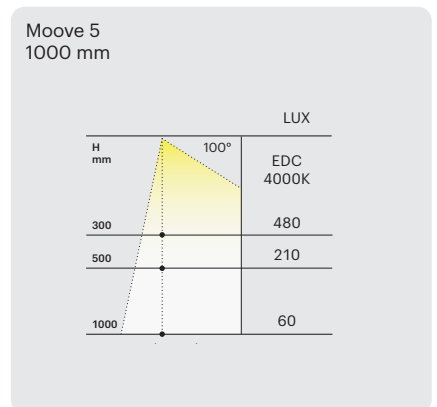
## CODE

561700001

## (mm)



## ILLUMINANCE



# Moove 5 FREE CUT

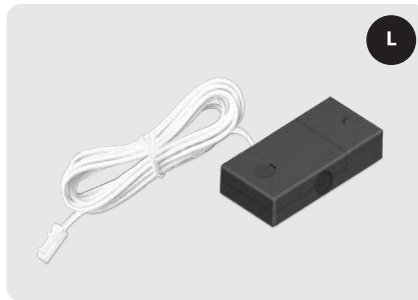
## ELECTRIFICATION AND SWITCHING SYSTEM

To power the MOOVE 5 lamp, use the "L/R" electrification connector kit combined with the "L" or "R" wired IRD sensors. MOOVE 5 works with one or two sensors mounted at the ends (with a double sensor, it will not be necessary to purchase the side end cap). Each IRD sensor (L or R) is supplied with fixing screws and can be mounted to the right or left of the MOOVE 5 profile: follow the instructions with the sensor positioning options (P.30) to correctly set the light beam orientation and color temperature.



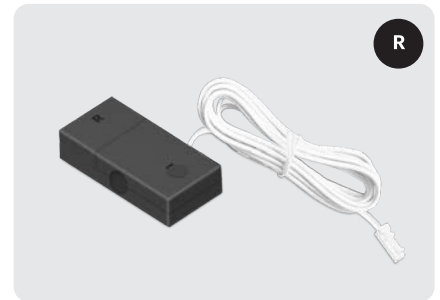
Couple of electrification connectors (L/R).

**600300241**



IR Door Sensor (L)  
Mounting screws included.  
Cable 3000mm

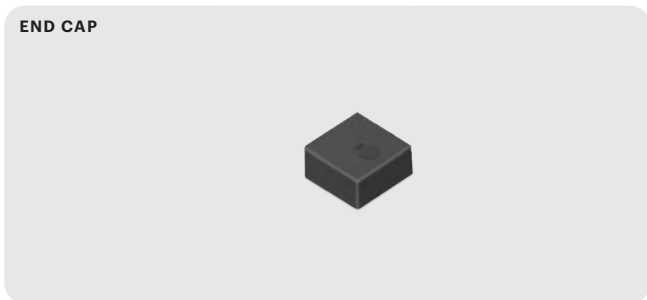
**941300706**



IR Door Sensor (R)  
Mounting screws included.  
Cable 3000mm

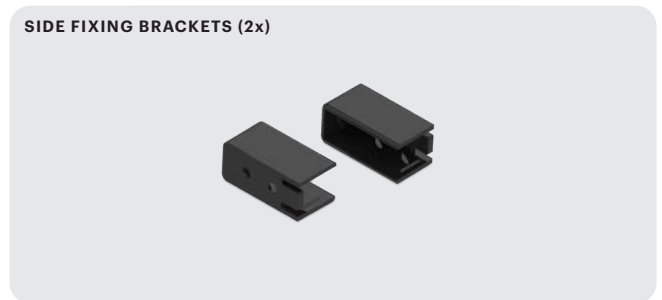
**941300705**

## ACCESSORIES



For use when configuring MOOVE 5 with a single IRD sensor. Mounting screw included.

**600800294**



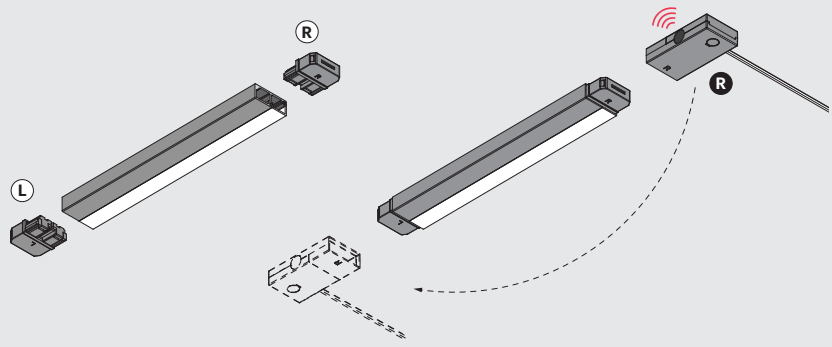
To install MOOVE 5 at the cabinet's sides. Mounting screws included.

**600800293**

The electrification connectors (L/R) are inserted into the MOOVE 5 profile as shown in the figure.

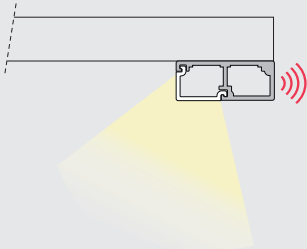
All wired IRD sensors can be mounted on either side of the profile, allowing you to change the orientation of the light beam, the direction of the sensor/cable outlet, and the color temperature.

Refer to the diagram below for all available options, for single or double sensors.



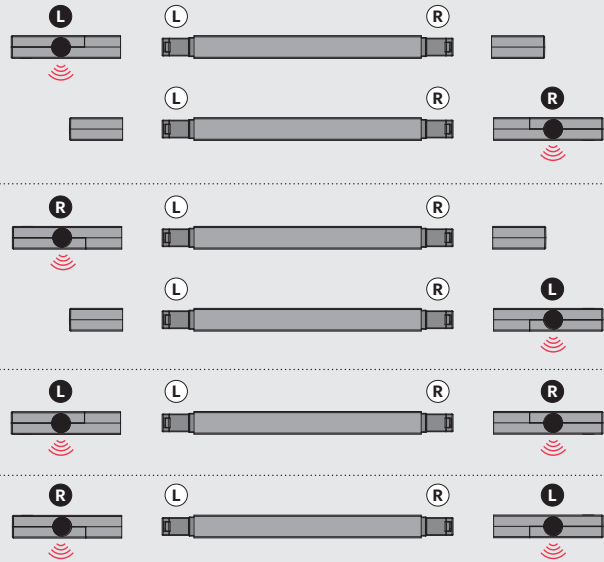
**INSTALLATION - SIDE VIEW**

Inside base cabinet lighting

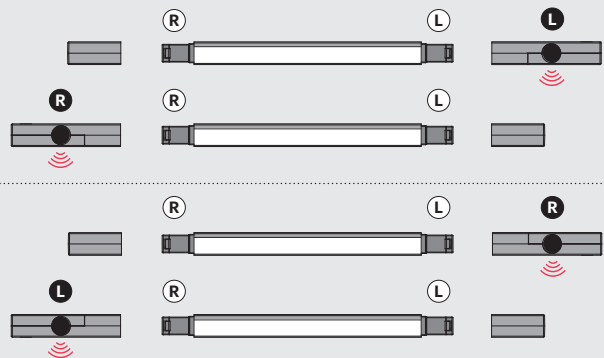
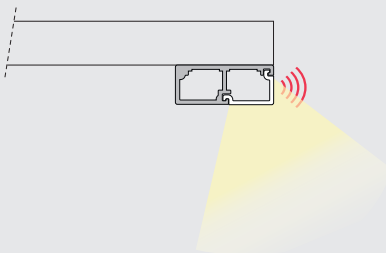


**CCT**

**ELECTRIFICATION OPTIONS - FRONT VIEW**



Drawer lighting





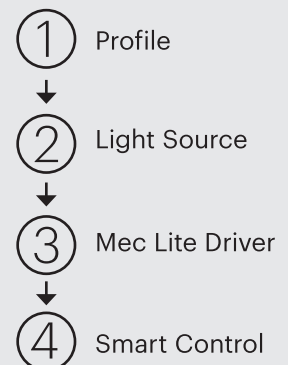
# MEC Professional

Few simple steps to easily create, in total autonomy, a fully customized lamp

Mec Professional is the complete linear lighting system that allows to compose, in total autonomy, the most suitable lamps for your needs: easy-to-install system.

It is possible to create a completely customized luminaire by combining profiles and diffusers with LED light sources, power supply systems and remote control accessories.

The lamps are easily electrified by means of special connectors that do not require any welding operation, simplifying the work and reducing material waste.





# Easy-to-install system

## Diffuser

Cutttable to size polycarbonate diffusers, with specific design for each profile and available, according to the models, in opal or transparent finish.

## LED light source

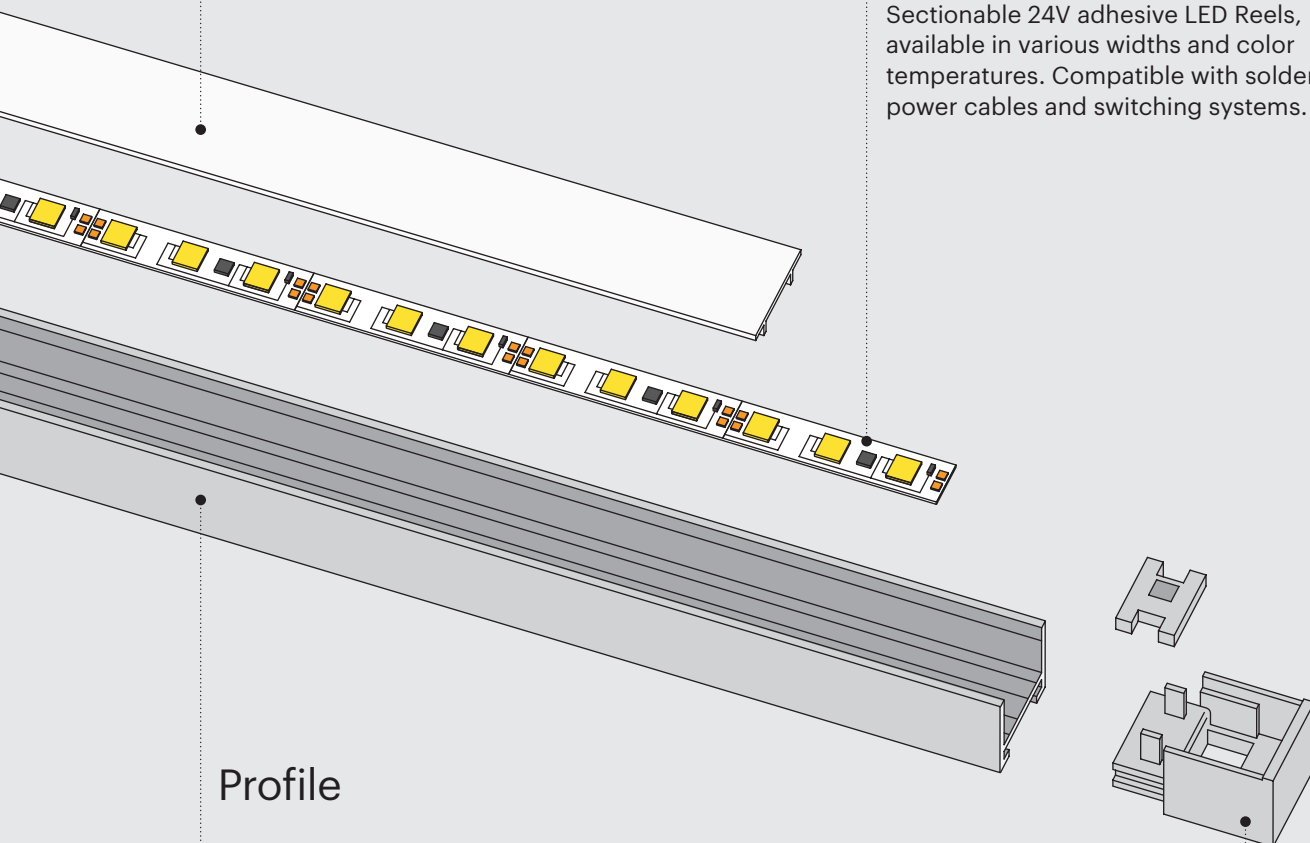
Sectionable 24V adhesive LED Reels, available in various widths and color temperatures. Compatible with solderless power cables and switching systems.

## Profile

Cutttable to size anodized aluminum profiles, available in various shapes, sizes and finishes in surface or recessed mounting versions.

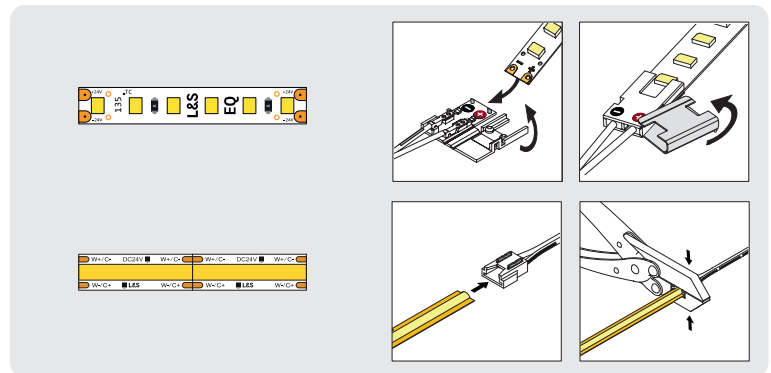
## Accessories

End caps, cable clamps, fixing clips and brackets.



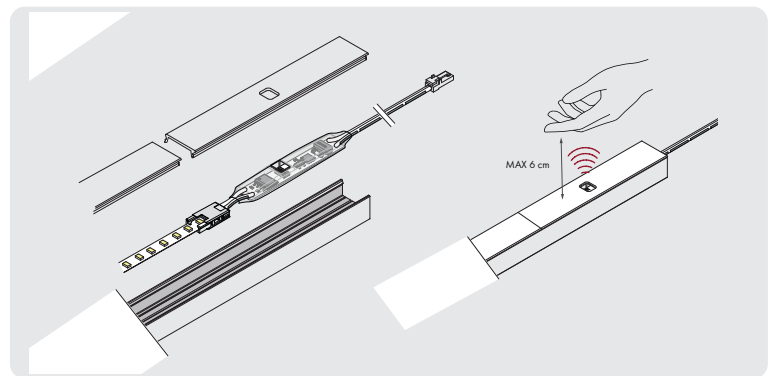
## Reel to Reel connections

For power cables, extension cords and integrated switching systems: a practical and intuitive solution that simplifies lamp preparation.



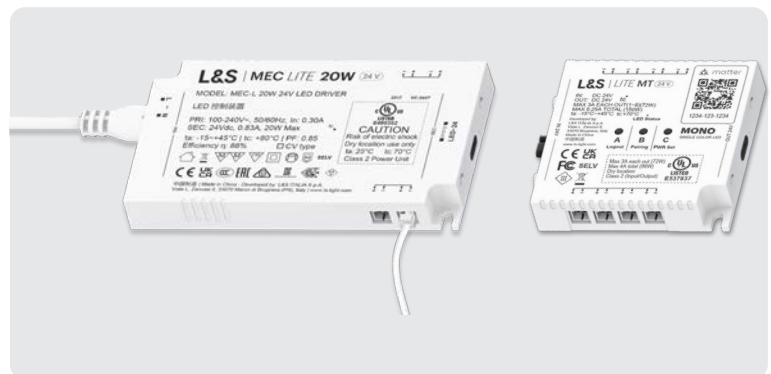
## Integrated switching systems

Sensors and switches for Reel to Reel connection to LED Light Sources: to be inserted directly into the profiles to control switching, light intensity and color temperature regulation.



## MEC LITE Platform

Patented power supply system with integrated power distributor, certified for almost all world markets. Modular design, with the possibility of integrating various Smart Home control modules in a simple and intuitive way, for remote regulation of every aspect of lighting and home automation.



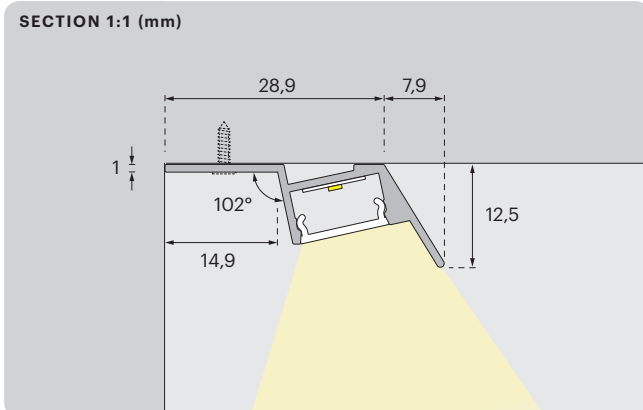
## SMART sensors and controllers

Solutions for remote control of LED lamps in combination with SMART Control Modules: wireless sensors and controllers to customize every aspect of the light, such as switching, light intensity and color temperature regulation.



# Bel xT-L vela

DIY SURFACE MOUNTED LAMP



## ALUMINIUM PROFILE

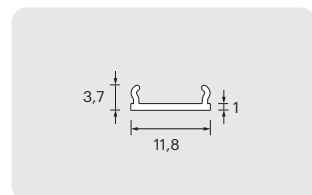
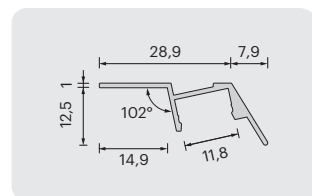
3000mm - Cuttable to size  
Installation by means of fixing screws (not included)

12 Aluminium	942800044
03 Black	942800045

## POLYCARBONATE DIFFUSER

3000 mm - Cuttable to size

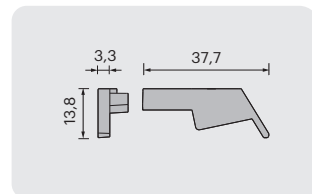
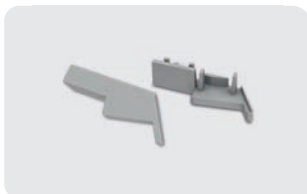
Opal	944000037
------	-----------



## END CAPS

2x

12 Aluminium	600900031
03 Black	600900032



## LED REELS AND ELECTRIFICATION

LED Reels and power cables with solderless connection

LED	SMD	8mm	P.46
	COB	5mm	P.50
		8mm	P.51
CABLES	SMD LED		P.47
	COB LED		P.52
DRIVER	MEC Lite		P.64

## SWITCHING SYSTEMS

P.48

For 8mm SMD LED Reels, solderless connection, integrated power cable.

IRS	MONO	941300006
TOUCH	MONO	941300008

## IRS/PIR COVER

P.48

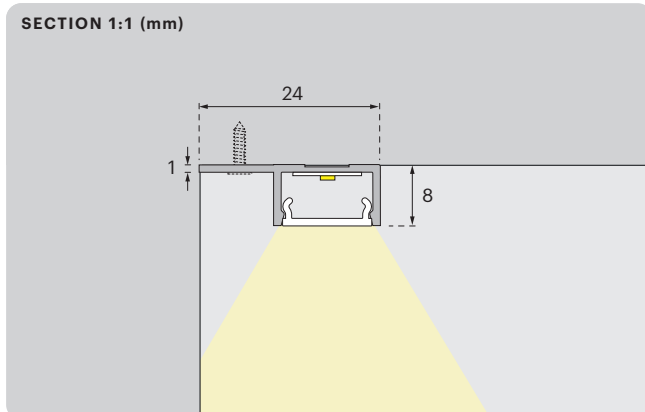
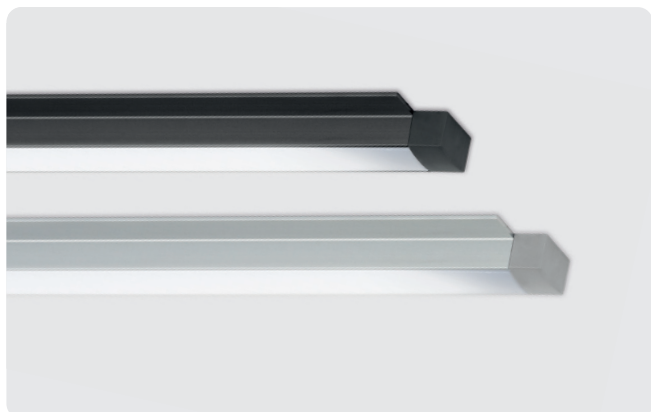
Pre-cut diffuser portion for switching systems

IRS	Opal	944000038
-----	------	-----------



# Bel xT-L

DIY SURFACE MOUNTED LAMP



## ALUMINIUM PROFILE

3000mm - Cuttable to size  
Installation by means of fixing screws (not included)

12 Aluminium	942800042
03 Black	942800043

## POLYCARBONATE DIFFUSER

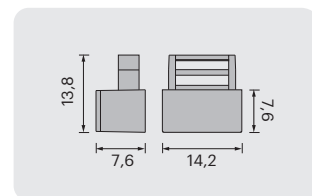
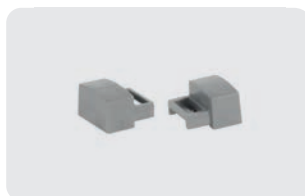
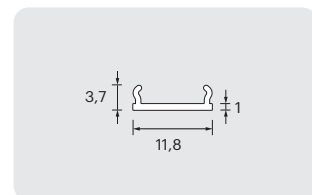
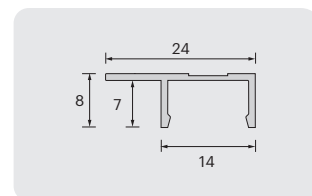
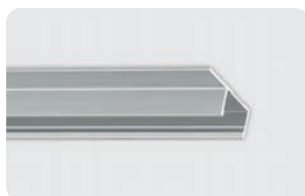
3000mm - Cuttable to size

Opal	944000037
------	-----------

## END CAPS

2x

12 Aluminium	600900029
03 Black	600900030



## LED REELS AND ELECTRIFICATION

LED Reels and power cables with solderless connection

LED	SMD	8mm	P.46
	COB	5mm	P.50
		8mm	P.51
CABLES	SMD LED		P.47
	COB LED		P.52
DRIVER	MEC Lite		P.64

## SWITCHING SYSTEMS

P.48

For 8mm SMD LED Reels, solderless connection, integrated power cable.

IRS	MONO	941300006
TOUCH	MONO	941300008

## IRS/PIR COVER

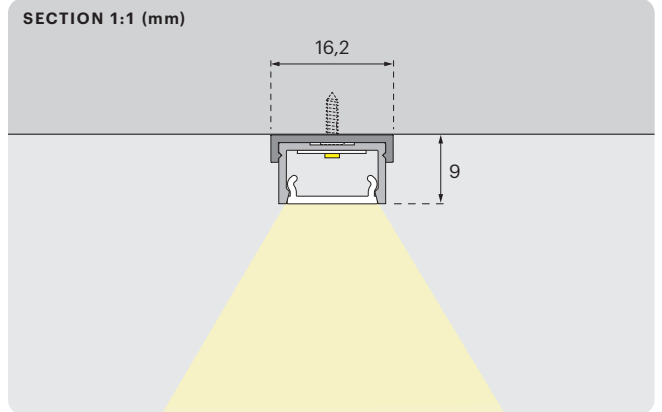
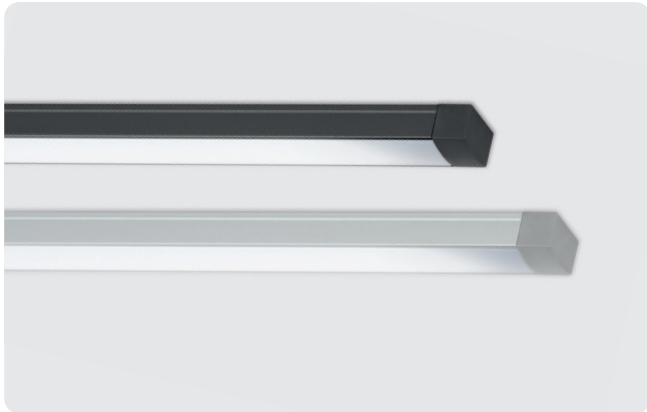
P.48

Pre-cut diffuser portion for switching systems

IRS	Opal	944000038
-----	------	-----------

# Bel xT

DIY SURFACE MOUNTED LAMP



## ALUMINIUM PROFILE

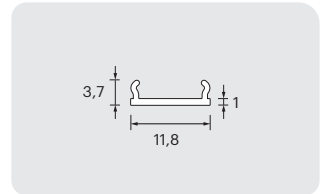
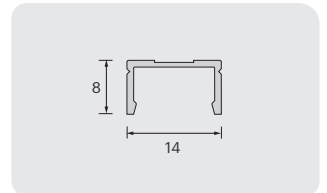
3000mm - Cuttable to size  
Installation by means of fixing clips (see below)  
or double-sided tape (optional - not included)

12 Aluminium	942800040
03 Black	942800041

## POLYCARBONATE DIFFUSER

3000mm - Cuttable to size

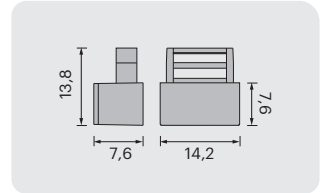
Opal	944000037
------	-----------



## END CAPS

2x

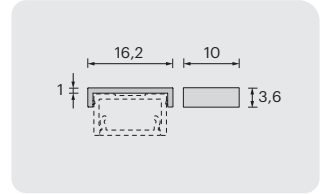
12 Aluminium	600900029
03 Black	600900030



## FIXING CLIPS

2x

12 Aluminium	600900019
03 Black	600900020



## LED REELS AND ELECTRIFICATION

LED Reels and power cables with solderless connection

LED	SMD	8mm	P.46
	COB	5mm	P.50
		8mm	P.51

CABLES	SMD LED	P.47
	COB LED	P.52

DRIVER	MEC Lite	P.64
--------	----------	------

## SWITCHING SYSTEMS

P.48

For 8mm SMD LED Reels, solderless connection, integrated power cable.

IRS	MONO	941300006
TOUCH	MONO	941300008

## IRS/PIR COVER

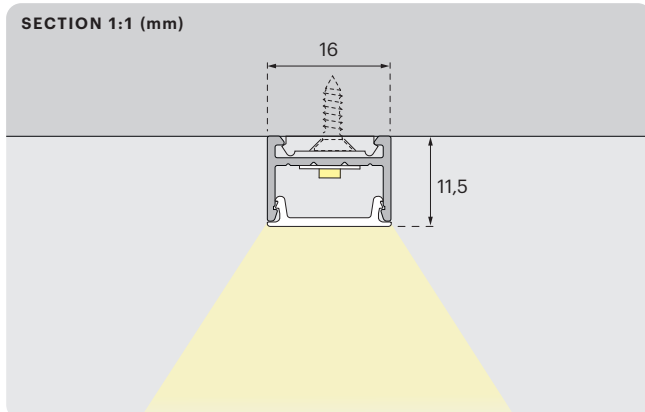
P.48

Pre-cut diffuser portion for switching systems

IRS	Opal	944000038
-----	------	-----------

# Mec 1

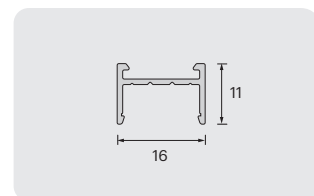
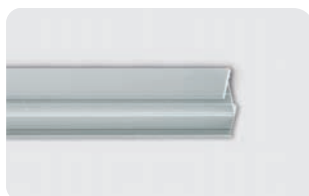
DIY SURFACE MOUNTED LAMP



## ALUMINIUM PROFILE

3000mm - Cuttable to size

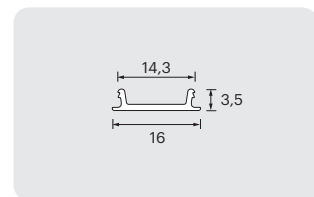
12 Aluminium	942800076
03 Black	942800001



## POLYCARBONATE DIFFUSER

3000mm - Cuttable to size

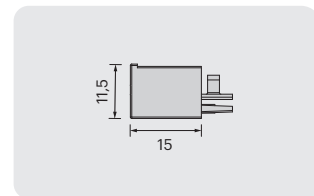
Opal	944000001
Transparent	944000002



## END CAPS

2x

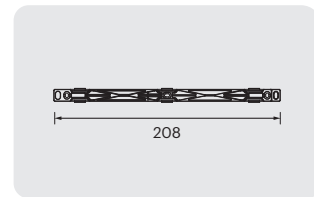
12 Aluminium	600900001
03 Black	600900002



## FIXING BRACKET

1x

Polycarbonate	600800001
---------------	-----------



## LED REELS AND ELECTRIFICATION

LED Reels and power cables with solderless connection

LED	SMD	8mm	P.46
	COB	5mm	P.50
		8mm	P.51
CABLES	SMD LED		P.47
	COB LED		P.52
DRIVER	MEC Lite		P.64

## SWITCHING SYSTEMS

P.48

For 8mm SMD LED Reels, solderless connection, integrated power cable.

IRS	MONO	941300006
PIR	MONO	941300008
TOUCH	MONO	941300005

## IRS/PIR COVER

P.48

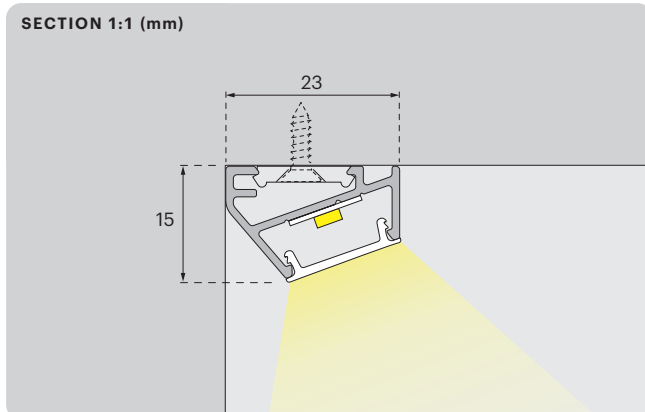
Pre-cut diffuser portion for switching systems

IRS	Opal	944000004
	Transparent	944000003
PIR	Opal	944000006
	Transparent	944000005



# Mec 3

DIY SURFACE MOUNTED LAMP



## ALUMINIUM PROFILE

3000mm - Cuttable to size

12 Aluminium	942800078
03 Black	942800077

## POLYCARBONATE DIFFUSER

3000mm - Cuttable to size

Opal	944000001
Transparent	944000002

## END CAPS

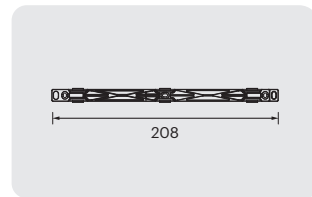
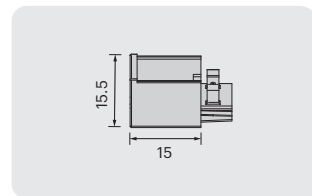
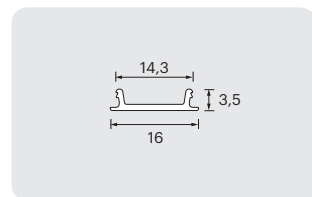
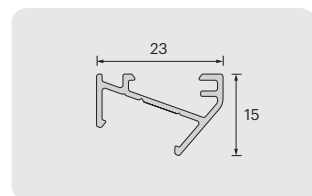
2x

12 Aluminium	600900001
03 Black	600900002

## FIXING BRACKET

1x

Polycarbonate	600800001
---------------	-----------



## LED REELS AND ELECTRIFICATION

LED Reels and power cables with solderless connection

LED	SMD	8mm	P.46
	COB	5mm	P.50
		8mm	P.51
CABLES	SMD LED		P.47
	COB LED		P.52
DRIVER	MEC Lite		P.64

## SWITCHING SYSTEMS

P.48

For 8mm SMD LED Reels, solderless connection, integrated power cable.

IRS	MONO	941300006
PIR	MONO	941300008
TOUCH	MONO	941300005

## IRS/PIR COVER

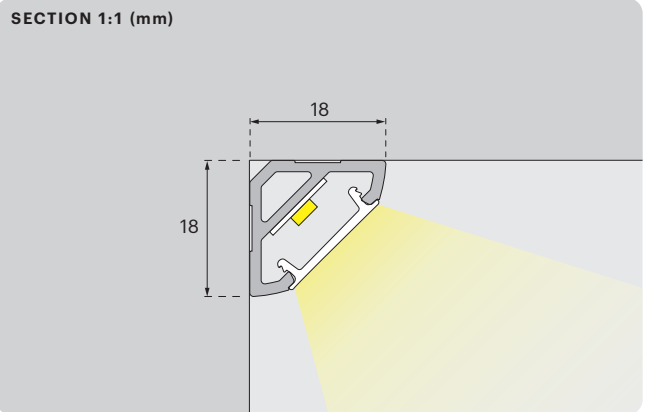
P.48

Pre-cut diffuser portion for switching systems

IRS	Opal	944000004
	Transparent	944000003
PIR	Opal	944000006
	Transparent	944000005

# Mec 5

DIY SURFACE MOUNTED LAMP



## ALUMINIUM PROFILE

3000mm - Cuttable to size  
Installation by means of double-sided tape (not included)

12 Aluminium	942800082
03 Black	942800081

## POLYCARBONATE DIFFUSER

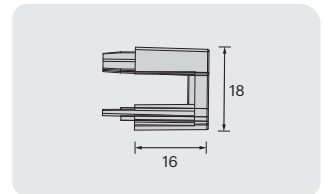
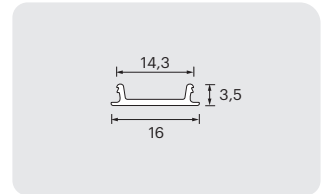
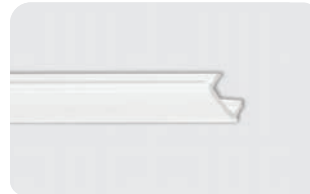
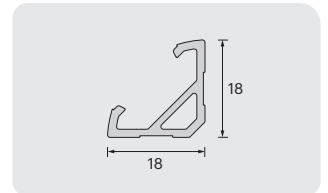
3000mm - Cuttable to size

Opal	944000001
Transparent	944000002

## END CAPS

2x

12 Aluminium	600900007
03 Black	600900008



## LED REELS AND ELECTRIFICATION

LED Reels and power cables with solderless connection

LED	SMD	8mm	P.46
	COB	5mm	P.50
		8mm	P.51
CABLES	SMD LED		P.47
	COB LED		P.52
DRIVER	MEC Lite		P.64

## SWITCHING SYSTEMS

P.48

For 8mm SMD LED Reels, solderless connection, integrated power cable.

IRS	MONO	941300006
PIR	MONO	941300008
TOUCH	MONO	941300005

## IRS/PIR COVER

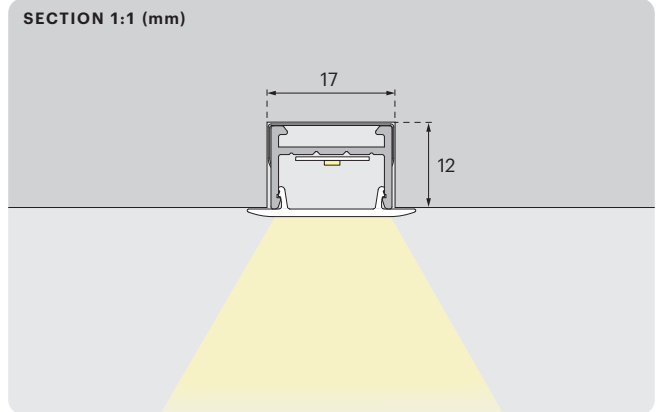
P.48

Pre-cut diffuser portion for switching systems

IRS	Opal	944000004
	Transparent	944000003
PIR	Opal	944000006
	Transparent	944000005

# Mec 2

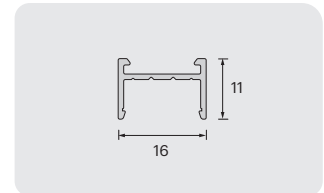
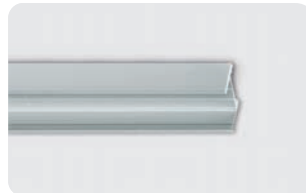
DIY RECESSED MOUNTED LAMP



### ALUMINIUM PROFILE

3000mm - Cuttable to size

12 Aluminium **942800076**

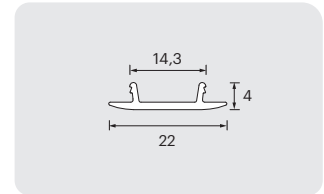


### POLYCARBONATE DIFFUSER

3000mm - Cuttable to size

Opal **944000007**

Transparent **944000008**

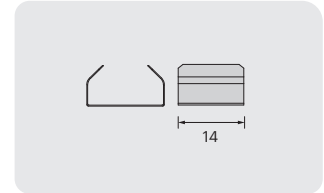
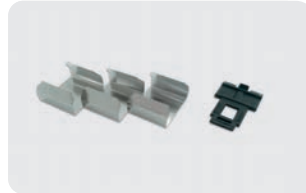


### FIXING KIT

1x

3x Metal fixing clips **600800002**

1x Adhesive cable clamp



### LED REELS AND ELECTRIFICATION

LED Reels and power cables with solderless connection

LED	SMD	8mm	<a href="#">P.46</a>
	COB	5mm	<a href="#">P.50</a>
		8mm	<a href="#">P.51</a>
CABLES	SMD LED		<a href="#">P.47</a>
	COB LED		<a href="#">P.52</a>
DRIVER	MEC Lite		<a href="#">P.64</a>

### SWITCHING SYSTEMS

[P.48](#)

For 8mm SMD LED Reels, solderless connection, integrated power cable.

IRS	MONO	<b>941300006</b>
PIR	MONO	<b>941300008</b>
TOUCH	MONO	<b>941300005</b>

### IRS/PIR COVER

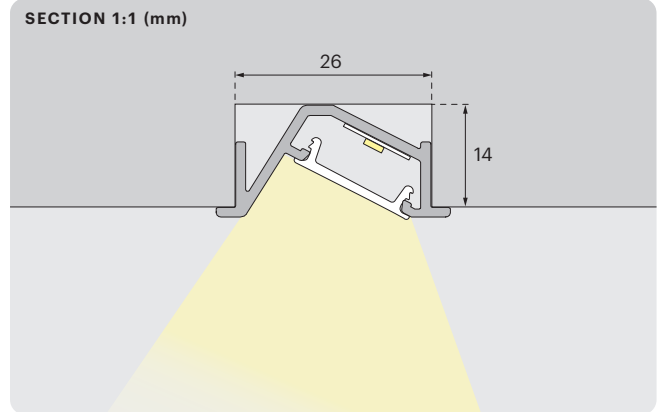
[P.48](#)

Pre-cut diffuser portion for switching systems

IRS	Opal	<b>944000010</b>
	Transparent	<b>944000009</b>
PIR	Opal	<b>944000012</b>
	Transparent	<b>944000011</b>

# Mec 4

DIY RECESSED MOUNTED LAMP



## ALUMINIUM PROFILE

3000mm - Cuttable to size

12 Aluminium	942800080
03 Black	942800079

## POLYCARBONATE DIFFUSER

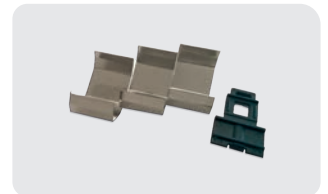
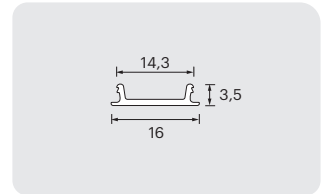
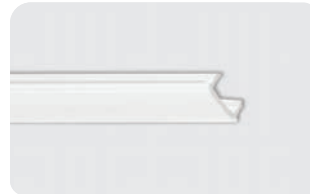
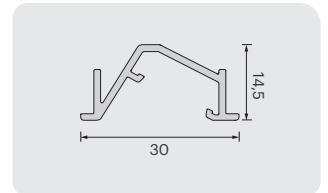
3000mm - Cuttable to size

Opal	944000001
Transparent	944000002

## END CAPS + FIXING KIT

2x End caps  
3x Metal fixing clips / 1x Adhesive cable clamp

12 Aluminium	600900005
03 Black	600900006



## LED REELS AND ELECTRIFICATION

LED Reels and power cables with solderless connection

LED	SMD	8mm	P.46
	COB	5mm	P.50
		8mm	P.51
CABLES	SMD LED		P.47
	COB LED		P.52
DRIVER	MEC Lite		P.64

## SWITCHING SYSTEMS

P.48

For 8mm SMD LED Reels, solderless connection, integrated power cable.

IRS	MONO	941300006
PIR	MONO	941300008
TOUCH	MONO	941300005

## IRS/PIR COVER

P.48


Pre-cut diffuser portion for switching systems

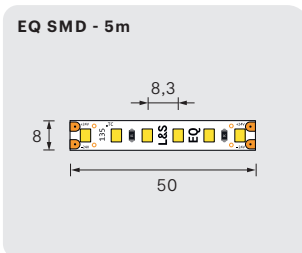
IRS	Opal	944000004
	Transparent	944000003
PIR	Opal	944000006
	Transparent	944000005

# LED Reel SMD - 8mm

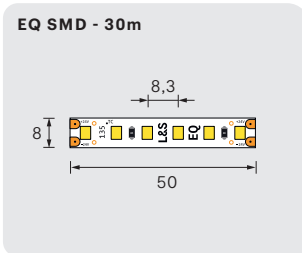
24 V 



9,6W/m <span style="border: 1px solid black; border-radius: 50%; padding: 2px;">24 V</span>	LUMEN/m	LUMEN/W	CRI	EEC	CCT	CODE
MONO: 120LEDs/m	1100 lm/m	114 lm/W	≥ 80		3000K	<b>751100087</b>
5000 mm					4000K	<b>751100088</b>

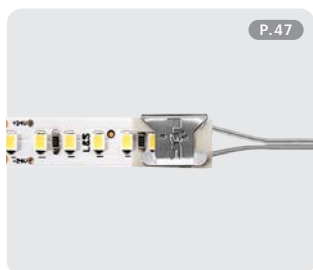


9,6W/m <span style="border: 1px solid black; border-radius: 50%; padding: 2px;">24 V</span>	LUMEN/m	LUMEN/W	CRI	EEC	CCT	CODE
MONO: 120 LEDs/m	1100 lm/m	114lm/W	≥ 80		3000K	<b>751100085</b>
30 m					4000K	<b>751100086</b>



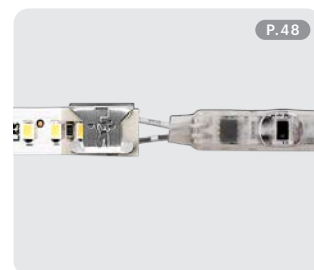
## ELECTRIFICATION

Power cables and accessories with solderless connection.  
NOT INCLUDED



## SWITCHING SYSTEMS

Solderless connection, with integrated power cable.  
NOT INCLUDED

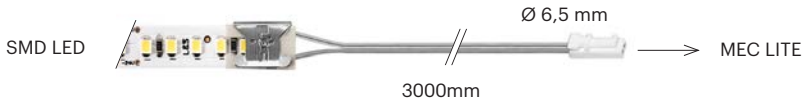


# Electrification SMD LED

## Power cable 24 V

Solderless power cable for reel-to-reel connection of compatible SMD LED strips to MEC Lite.

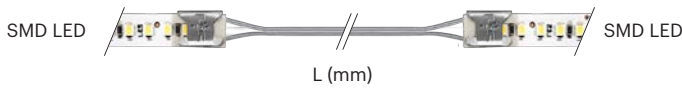
V IN	LED	L mm	CODE
24V DC	8 mm	3000 mm	<b>940600008</b>



## Soft Link 24 V

Reel to reel connection cable for compatible SMD LED strips.

V IN	LED	L mm	CODE
24V DC	8 mm	50 mm	<b>940600005</b>
		400 mm	<b>940600006</b>
		700 mm	<b>940600007</b>



## Bridge 24 V

Reel to reel connector for compatible SMD LED strip segments.

V IN	LED	L mm	CODE
24V DC	8 mm	-	<b>750300003</b>



### COMPATIBLE LED REELS

8mm SMD LED Reels



### POWER SUPPLY

MEC Lite  
"Ready-to-light"  
power supply system  
with integrated distributor.  
NOT INCLUDED



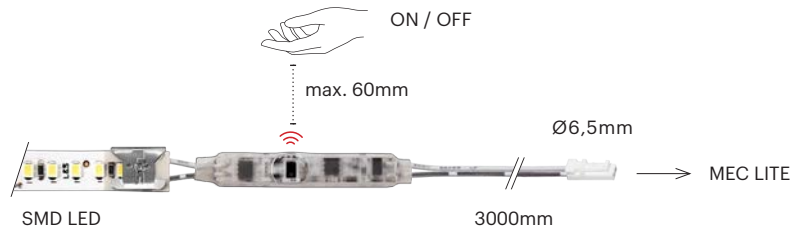
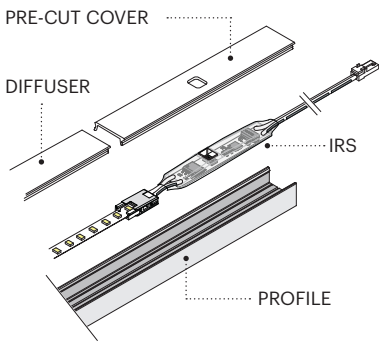
# Switching systems SMD LED

## IRS sensor (24V)

Functions: On/Off - Color Temperature Change (EDC/WDC LED)  
 Max. load: 3A - 72W

Proximity switch for reel to reel solderless connection to 24V SMD LED strips, complete with 3000mm power cable. Requires a specific pre-cut diffuser portion cover, different for each profile (not included - codes on the profile page).

V IN	LED	TYPE	CODE
24V DC	8 mm	MONO	941300006

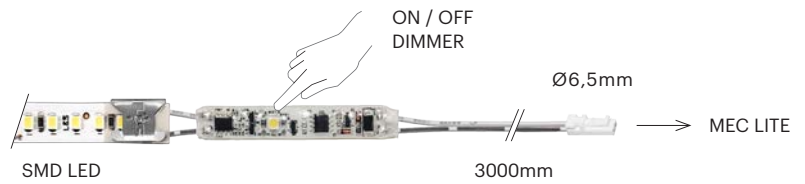
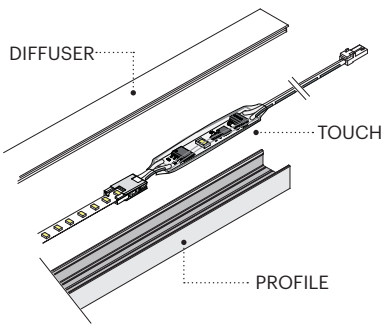


## TOUCH sensor (24V)

Functions: On/Off- Dimmer  
 Max. load: 3A - 72W

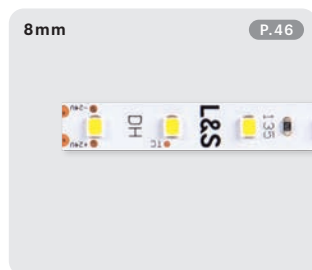
Optical touch switch for reel to reel solderless connection to 24V SMD LED strips, complete with 3000mm power cable.

V IN	LED	TYPE	CODE
24V DC	8 mm	MONO	941300005



### COMPATIBLE LED REELS

8mm SMD LED Reels



### POWER SUPPLY

MEC Lite  
 "Ready-to-light"  
 power supply system  
 with integrated distributor.  
 NOT INCLUDED



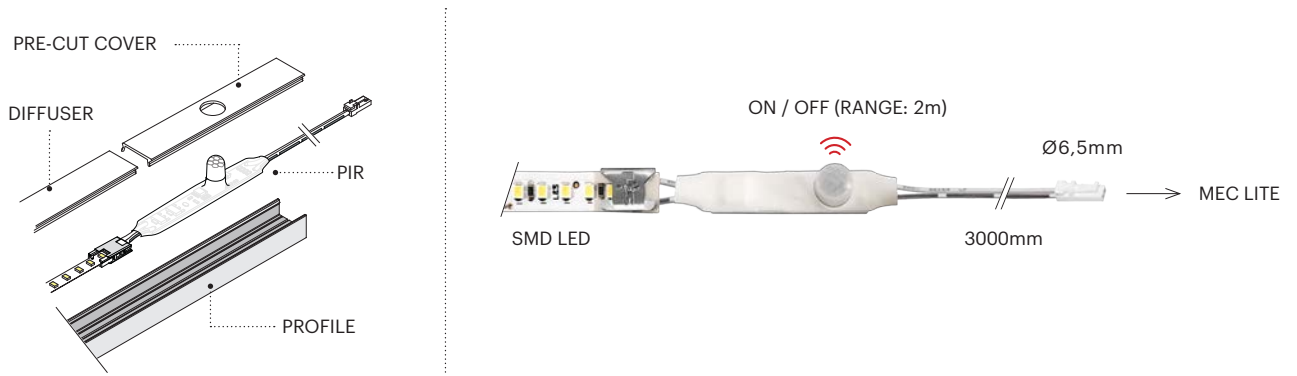
# Switching systems SMD LED

## PIR sensor (24V)

Functions: On/Off - Detection range: 2m  
 Max. load: 3A - 72W

Motion sensor for reel to reel solderless connection to 24V SMD LED strips, complete with 3000mm power cable. Requires a specific pre-cut diffuser portion cover, different for each profile (not included - codes on the profile page).

V IN	LED	TYPE	CODE
24V DC	8 mm	MONO	941300008



### COMPATIBLE LED REELS

8mm SMD LED Reels



### POWER SUPPLY

MEC Lite  
 "Ready-to-light"  
 power supply system  
 with integrated distributor.  
 NOT INCLUDED



# LED Reel COB - 5mm

24 V



10W/m <span>24 V</span>	LUMEN/m	LUMEN/W	CRI	EEC	CCT	CODE
MONO: 640 LEDs/m	900 lm/m	90 lm/W	≥ 90		2700K	<b>751100788</b>
5000 mm					3000K	<b>751100789</b>
0,125W x 12,5 mm					4000K	<b>751100790</b>



## EU COB

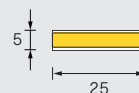


10W/m EDC <span>24 V</span>	LUMEN/m	LUMEN/W	CRI	EEC	CCT	CODE
DUAL: 320+320 LEDs/m	1000 lm/m	100 lm/W	≥ 90		EDC 3000K+4000K	<b>751100791</b>
5000 mm						
0,25W x 25 mm						



## EV COB

EDC



## ELECTRIFICATION

Power cables and accessories  
with solderless crimp connection.

NOT INCLUDED

5mm

P.52



# LED Reel COB - 8mm

24 V ✂



10W/m <span>24V</span>	LUMEN/m	LUMEN/W	CRI	EEC	CCT	CODE
MONO: 640 LEDs/m	900 lm/m	90 lm/W	≥ 90		2700K	<b>751100793</b>
5000 mm					3000K	<b>751100794</b>
0,125W x 12,5 mm					4000K	<b>751100795</b>



**EY COB**

10W/m EDC <span>24V</span>	LUMEN/m	LUMEN/W	CRI	EEC	CCT	CODE
DUAL: 320+320 LEDs/m	1000 lm/m	100 lm/W	≥ 90		EDC 3000K+4000K	<b>751100792</b>
5000 mm						
0,25W x 25 mm						



**EZ COB** EDC

## ELECTRIFICATION

Power cables and accessories  
with solderless crimp connection.  
NOT INCLUDED

**8mm** P.52

# Electrification COB LED

## Power cable (24 V)

Solderless power cable for reel-to-reel crimp connection of SMD and COB LED strips to MEC Lite.

V IN	LED	L mm	CODE
24V DC	5 mm	3000 mm	940600578
	8 mm	3000 mm	940600579



## EDC Jumper (24 V)

Only for EDC Dual Color LED strips without integrated switching: for color temperature setting during installation.

V IN	LED	L mm	CODE
24V DC	EDC	50 mm	940600015



## Soft Link (24 V)

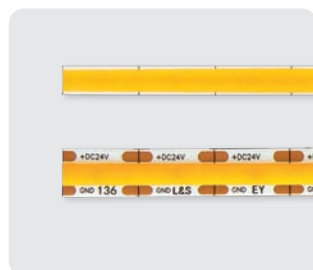
SMD/COB LED strips reel to reel crimp connection cable.

V IN	LED	L mm	CODE
24V DC	5 mm	100 mm	940600580
		700 mm	940600581
	8 mm	100 mm	940600582
		700 mm	940600583



### COMPATIBLE LED REELS

COB	5 mm	P.50
	8 mm	P.51



### POWER SUPPLY

MEC Lite  
"Ready-to-light"  
power supply system  
with integrated distributor.  
NOT INCLUDED



# Electrification COB LED

## Reel-to-Reel Connectors (24 V)

Solderless crimp connectors for linear or corner connection of SMD and COB LED strip segments.

LED	TYPE	CODE
5 mm	Bridge	750300176
8 mm	Bridge	750300177
	L	750300178

COB LED 5mm



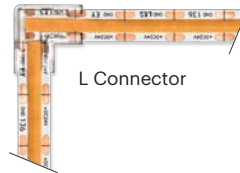
COB LED 5mm

BRIDGE

COB LED 8mm



COB LED 8mm



L Connector

COB LED 8mm

COB LED 8mm

## Pliers

Crimping pliers for SMD and COB solderless cables and connectors.

CODE

720300003



### COMPATIBLE LED REELS

COB	5 mm	P.50
	8 mm	P.51



### POWER SUPPLY

MEC Lite  
 "Ready-to-light"  
 power supply system  
 with integrated distributor.  
 NOT INCLUDED



# Spotlights



# Sunrise

CE UK cULus CB III IP20



Recessed/surface mounted spotlight  
with direct light beam.



## DESCRIPTION

Aluminum recessed spotlight with opal polycarbonate diffuser. Can be surface-mounted by means of a metal spacer (not included).

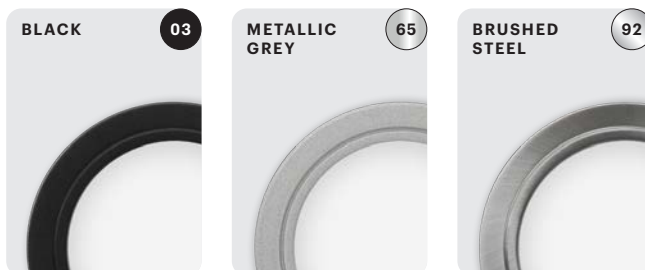
## INTENDED USE

Ideal for lighting shelves, wall units and bookcases or for kitchen undercabinet installation.



## FINISHES

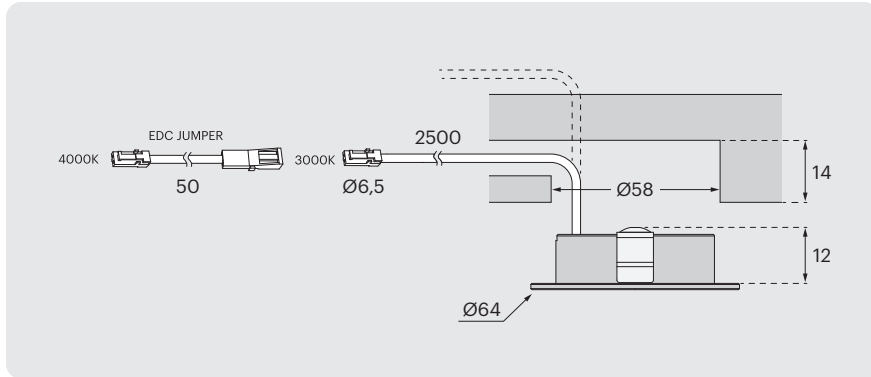
Available in black, metallic grey or brushed steel finish. Other finishes upon request.



# Sunrise

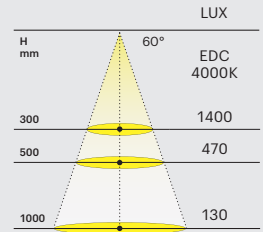


(mm)



## ILLUMINANCE

4W EDC  
332lm | 84lm/W



## SWITCHING AND CONTROL SYSTEMS

### WITHOUT SWITCHING SYSTEM

On-off control via switched outlet.

Can be used with Smart Home control solutions, transmitters or cabled switching systems for On-off, dimming and color temperature adjustment.



## POWER SUPPLY

MEC Lite

"Ready-to-light" power supply system with integrated distributor.

NOT INCLUDED

## MEC LITE P.64



## SUNRISE | EDC EDC

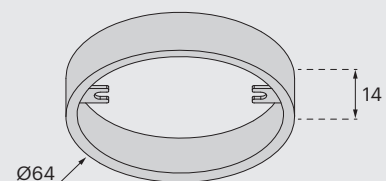
	24V	HOLE	CCT	FINISH	CODE
EDC Light Source.	24V	Ø58x12mm	EDC 3000K+4000K	03 black	28100040320ZD
EDC jumper cable included, for color temperature setting during installation.	LED 4W CRI>80			65 metallic grey	28100046520ZD
Dimmable.	F			92 brushed steel	28100049120ZD

## OPTIONAL ACCESSORIES

Spacer for surface mounting (screws included)

mm	FINISH	CODE
Ø64 x 14mm	03 black	23300090300
	65 metallic grey	23300096500
	92 brushed steel	23300099100

## SPACER



# Planar S/L



Surface mounted spotlight  
with direct light beam.



## DESCRIPTION

Aluminum surface mounted spotlight with opal polycarbonate diffuser.

Easy installation by means of fixing screws (included).

Characterized by a reduced thickness (5 mm) that allows maximum versatility of application.

## INTENDED USE

Ideal solution for undercabinet or shelves lighting.



## FINISHES

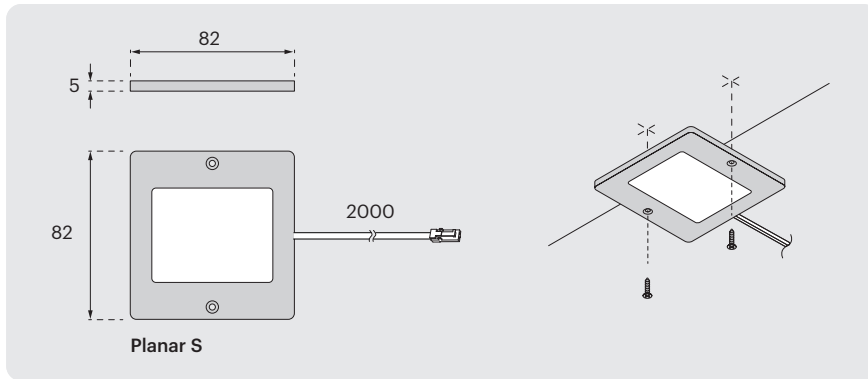
Available in aluminum or black finish. Other finishes upon request.



# Planar S/L

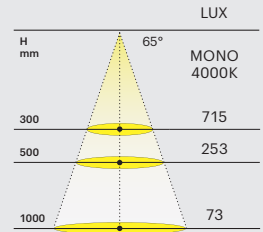


(mm)



## ILLUMINANCE

3W  
44lm | 133lm/W



## SWITCHING AND CONTROL SYSTEMS

### WITHOUT SWITCHING SYSTEM

On-off control via switched outlet.

Can be used with Smart Home control solutions, transmitters or cabled switching systems for On-off and dimming.



## POWER SUPPLY

MEC Lite

"Ready-to-light" power supply system with integrated distributor.

NOT INCLUDED

## MEC LITE

P.64



## PLANAR S NW

MONO Light Source.

24 V

mm

82x82x5mm

CCT

4000K

FINISH

12 aluminium

03 black

CODE

**597600004**

Dimmable.

3W

CRI>80

E

# Key T

CE UK EAC



IP20



Surface mounted spotlight  
with direct light beam.

Design: Marco Zanatta



## DESCRIPTION

Aluminum surface mounted spotlight with opal polycarbonate diffuser.

Exclusive design, characterized by an iconic triangle shape.

Easy installation by means of plastic fixing bracket (screws included).

Available in a 3-spot KIT version, complete with power supply and Master spotlight equipped with an integrated touch switch.

## INTENDED USE

Ideal installation in kitchen under-cabinet, for worktop lighting.



## FINISHES

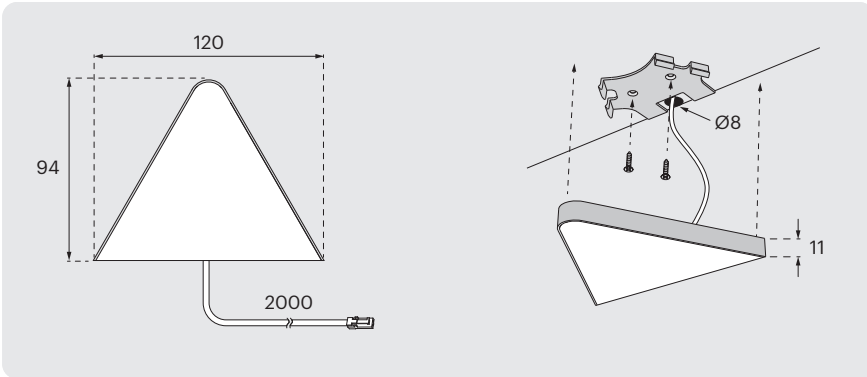
Available in black or steel finish.  
Other finishes upon request.



# Key T

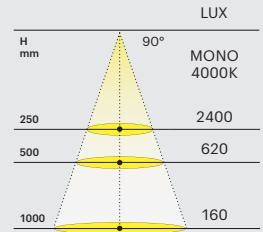


(mm)



## ILLUMINANCE

5W  
530lm | 98lm/W



## SWITCHING AND CONTROL SYSTEMS

### WITHOUT SWITCHING SYSTEM

On-off control via switched outlet.

Can be used with Smart Home control solutions, transmitters or cabled switching systems for On-off and dimming.



## POWER SUPPLY

MEC Lite

"Ready-to-light" power supply system with integrated distributor.

NOT INCLUDED

## MEC LITE

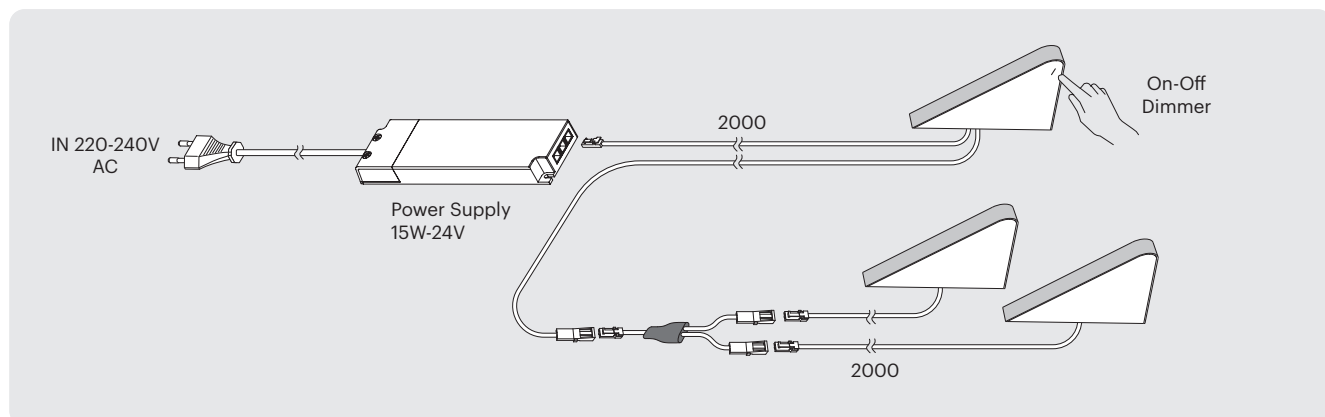
P.64



## KEY T NW

		mm	CCT	FINISH	CODE
MONO Light Source.	<span style="border: 1px solid black; border-radius: 50%; padding: 2px;">24 V</span>	190x70x11mm	4000K	<span style="border: 1px solid black; border-radius: 50%; padding: 2px;">91</span> steel	<b>92800129100ZW</b>
Dimmable.	5W			<span style="border: 1px solid black; border-radius: 50%; padding: 2px;">03</span> black	<b>92800120300ZW</b>
	CRI>80				
	<span style="border: 1px solid black; border-radius: 50%; padding: 2px;">F</span>				

# KIT Key T



KIT KEY T <span style="background-color: yellow; border-radius: 50%; padding: 2px;">NW</span>	W	mm	CCT	FINISH	CODE
MONO Light Source.	3 x 5W	94x120x11mm	4000K	01 steel	12426279100ZW
The KIT includes:				03 black	12426270300ZW

- 1x Spotlight with Touch Switch
- 2x Spotlights without switch
- 1x Splitter cable
- 1x Power Supply 15W
- 1x Power cord (EU)

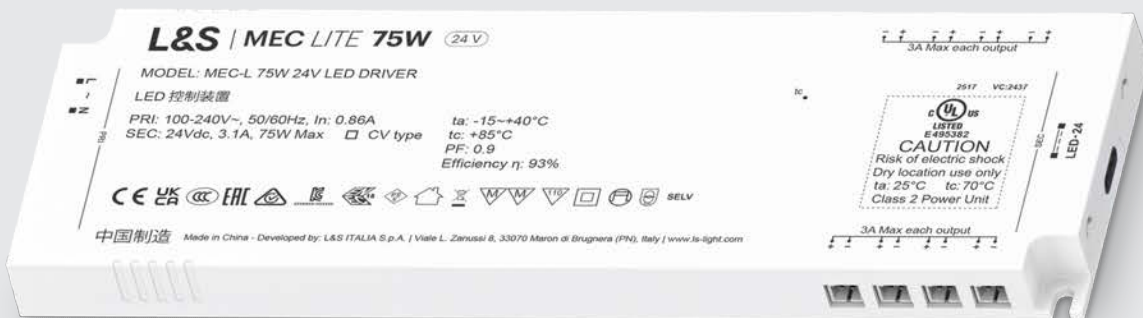


# MEC *LITE*

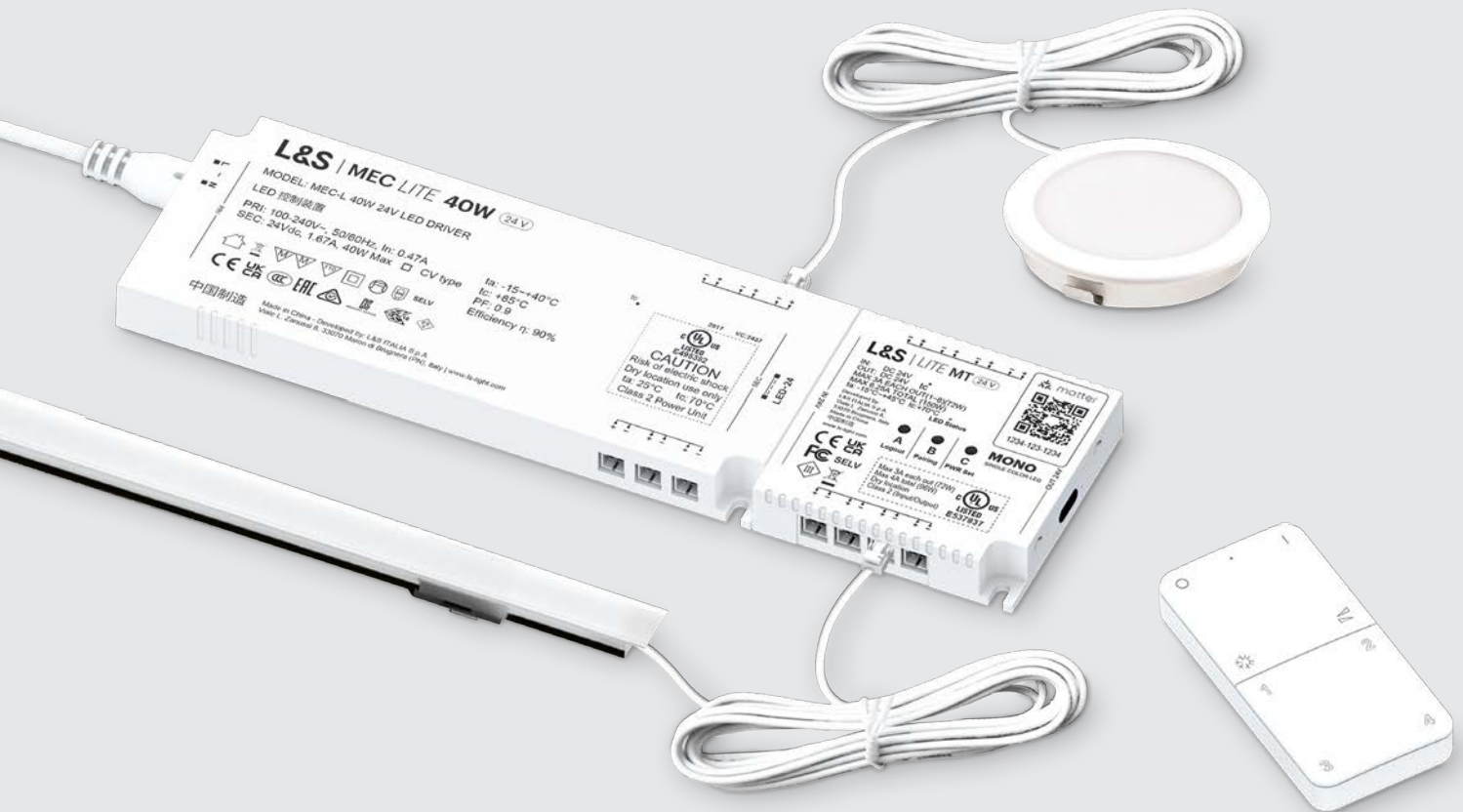
## Ready-to-light

The new "**Ready-to-light**" power supply and control platform for LED lamps by L&S: **MEC *LITE*** is a multi-certified product with a compact and modular design: equipped with an integrated power distributor, it is **versatile, straightforward and easy to install**. It also includes new intuitive **Smart Home** solutions for light customization and an innovative range of dedicated wireless sensors and transmitters.

**MEC *LITE*** ensures **greater energy efficiency** compared to the MEC Driver product range, with which it is compatible.



# Ready-to-light



## Practical integrated power distributor

The integrated power distributor of **MEC LITE**, with an optimized number of outputs based on the power supply's capacity, is a practical and easy-to-use solution for quickly connecting LED lamps without additional distribution modules, which can still be used if it becomes necessary to power a larger number of lamps.

## Control modules: Easier Smart Home

**MEC LITE** features a modular design with new Smart Home solutions for light control via voice assistant or smartphone, allowing for endless customizations in a simple and intuitive manner, thanks to the integration of the main protocols in the control modules. **LITE MT**, the module based on the Matter protocol, connects directly to the native app of the most popular Smart Home devices.



 matter

## Wireless control, practical and elegant

The new radio frequency transmitters make light management easy and incredibly versatile. **LITE sensor** is an innovative all-in-one sensor suitable for any context, usable as a motion sensor, door contact sensor, or touch transmitter. **LITE remote** is a practical 4-channel transmitter that allows control of multiple **LITE** control modules and can be installed on the wall using a practical magnetic support.



*LITE sensor*

*LITE remote*

## Multi-certified for global use

**MEC LITE** meets all major quality and safety requirements imposed by various global regulatory standards. The certifications obtained, together with the Wide Input system of 100-240 V AC and a separate power cable that can be chosen based on the type of plug used, make **MEC LITE** a global, safe, and reliable product.



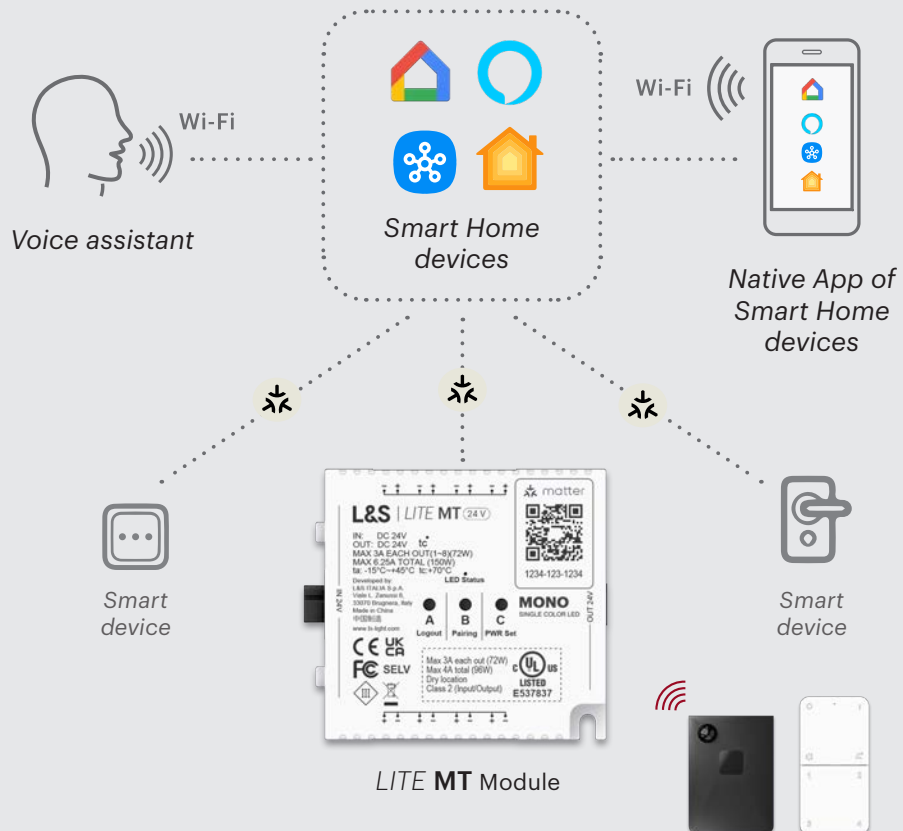
# Smart Control

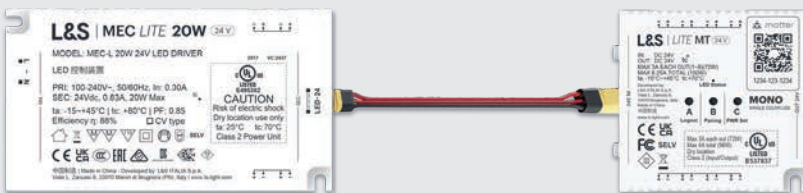
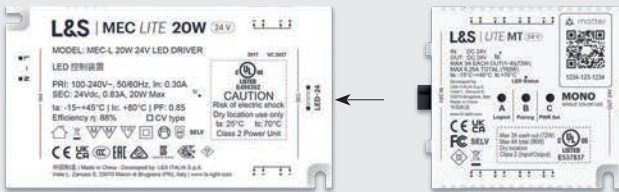
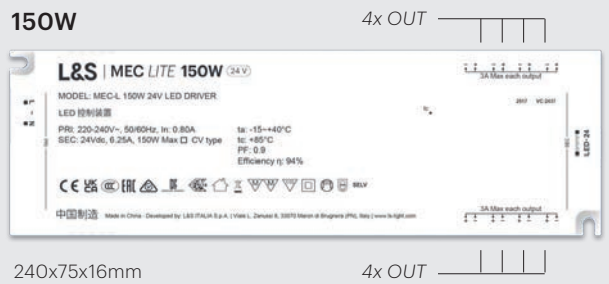
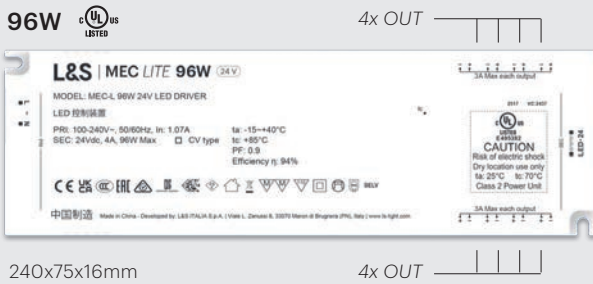
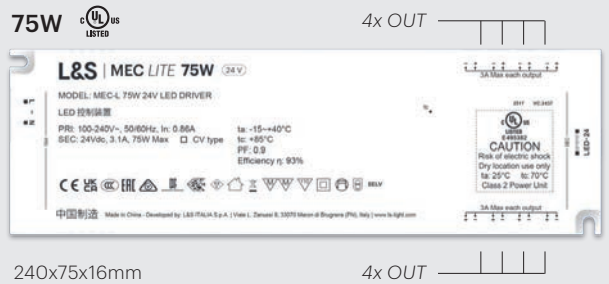
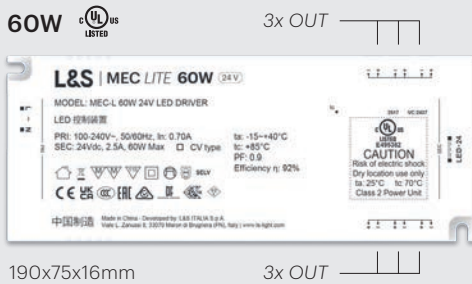
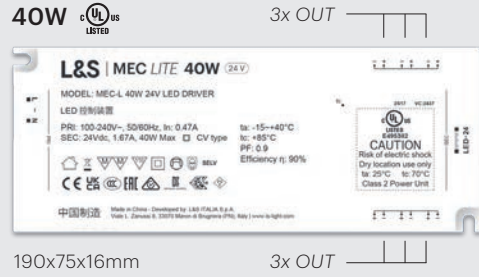
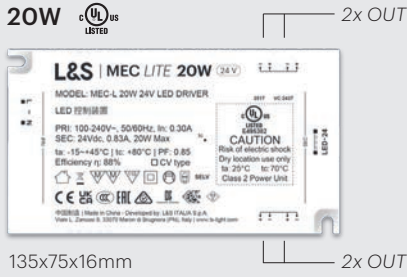
Easy integration with all protocols



## The universal standard for Smart Home devices

It simplifies the connection between smart devices from different brands through the innovative, fast, and reliable Matter protocol: the **LiteMT control module connects directly to the native app of Smart Home devices** (e.g., Amazon Alexa, SmartThings, Apple HomeKit). Through the Wi-Fi network, the device can be controlled from anywhere in the house. Control and customization of lighting through **voice assistants and smartphones**: intuitive and suitable even for non-expert users, thanks to an easy and immediate setup process that involves simply scanning the QR code present on the module.





# MEC LITE



## LED LIGHTS POWER SUPPLY

V IN: 100-240V AC WIDE INPUT  
 V OUT: (24V) DC

24V LED power supply system, complete with an integrated power distributor for LED lights (the number of outputs varies based on the power supplied).

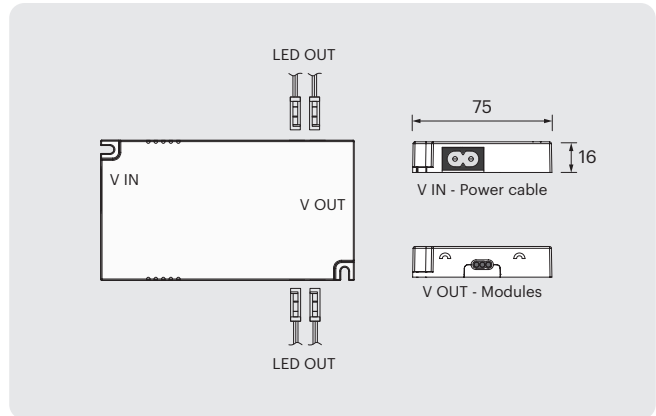
Wide Input voltage of 100-240V AC: the 150W model is available exclusively with an input voltage of 240V. Power cable sold separately.

Modular design: Remote control modules can be connected to create endless solutions (ensure the same 24V power supply is maintained for all connected modules).

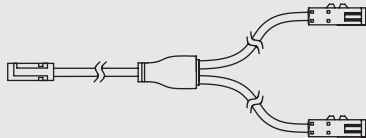
Compatible with all MEC Driver 24 modules.



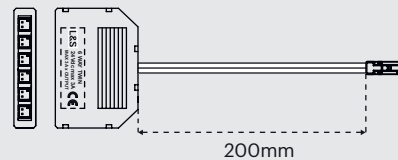
V IN	V OUT	W	OUT	L	CODE
100-240VAC	24V DC	20W	4	135 mm	<b>750800340</b>
		40W	6	190 mm	<b>750800341</b>
		60W	6	190 mm	<b>750800342</b>
		75W	8	240 mm	<b>750800343</b>
		96W	8	240 mm	<b>750800344</b>
220-240V AC		150W	8	240 mm	<b>750800345</b>



### T-SPLIT | CODE 80711210100



### 6-WAYS DISTRIBUTOR | CODE 30904650101



### POWER CABLE

V IN: 100-240V  
 L= 2000mm

Choose the power cable according to the type of plug suitable for your target market.

NOT INCLUDED

PLUG	CODE
EU	<b>940602204</b>
UK	<b>940602205</b>
AU	<b>940602206</b>
US	<b>940602207</b>
CN	<b>940602210</b>
KR	<b>940602212</b>
JP	<b>940600585</b>



### CONTROL MODULES CONNECTION CABLE

V IN/OUT: (24V) / (12V) DC  
 MAX load: 5A

For connecting MEC LITE and MEC Driver power supply systems to Control Modules; suitable also for Module-to-Module connections.

OPTIONAL

L	CODE
100 mm	<b>940600484</b>
500 mm	<b>940600485</b>
1000 mm	<b>940600486</b>



# LITE MT



## CONTROL MODULE FOR LED LAMPS

V IN/OUT: (24V) DC

2,4GHz Radio frequency receiver - Single Channel.  
With Matter protocol.

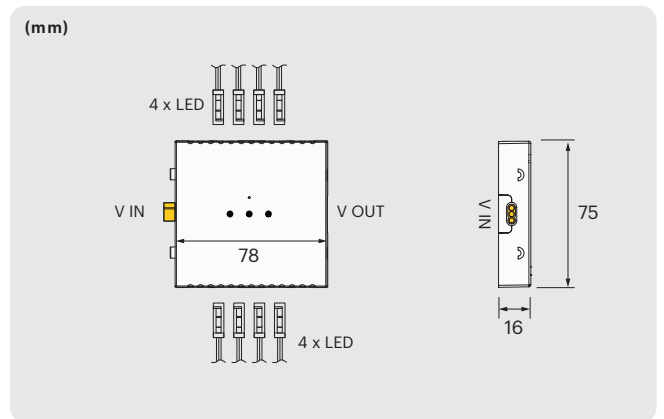
Simultaneous control up to 8 LED lights using compatible radio frequency transmitters or via Matter protocol to connect the module to the native app of the Smart Home device in use (e.g., Amazon Alexa, SmartThings, Apple HomeKit) thus eliminating the issue of managing different apps and protocols. Available for MONO or Dual Color (EDC/WDC) LED. Maintain the same operating voltage of 24V for all connected modules in a continuous line.

Functions: On-Off, dimming and color temperature adjustment (LED EDC/WDC).



WAYS	MAX LOAD	V IN	LED	CODE
8	150 W Total	24V DC	MONO	<b>756200640</b>
	72 W Single way		EDC / WDC	<b>756200645</b>

For use with lamps without integrated switching system only.



## REMOTE CONTROL



Control via voice assistant or smartphone through the Wi-Fi network: direct connection to the native app of Smart Home devices through a simple scan of the QR code printed on the module.



Control via 2.4GHz radio frequency transmitters.

## COMPATIBLE 2.4GHz TRANSMITTERS

It is possible to pair up to 5 radio transmitters with a single LITE BT receiver module.



# Wired C

24 V CE SELV

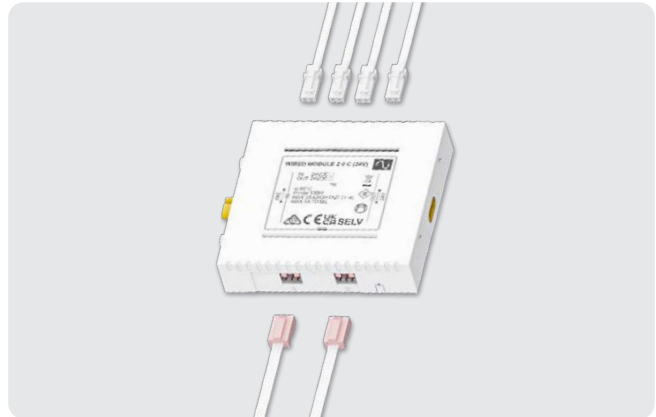
## CONTROL MODULE FOR 24V LED LIGHTS

V IN/OUT: 24 V DC

N°2 cabled sensors inputs

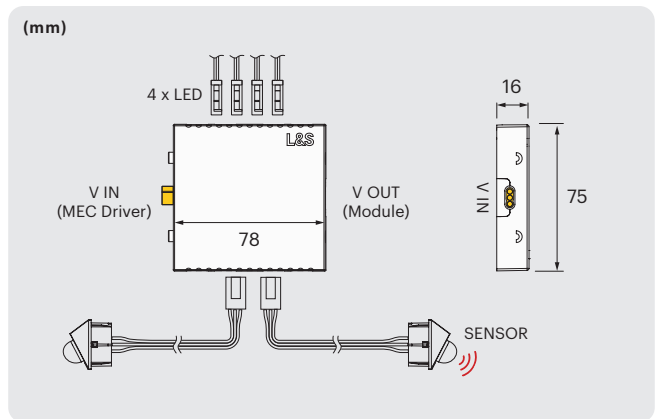
Up to 4 lamps (LED MONO) simultaneous control; compatible with cabled IR, PIR and TOUCH sensors, sold separately (max. 2 sensors per module - Sensors are supplied as standard with 700mm cable, 3000mm cable sold separately). Maintain the same operating voltage of 24V for all connected modules in a continuous line.

Functions: On-Off / Dimming.

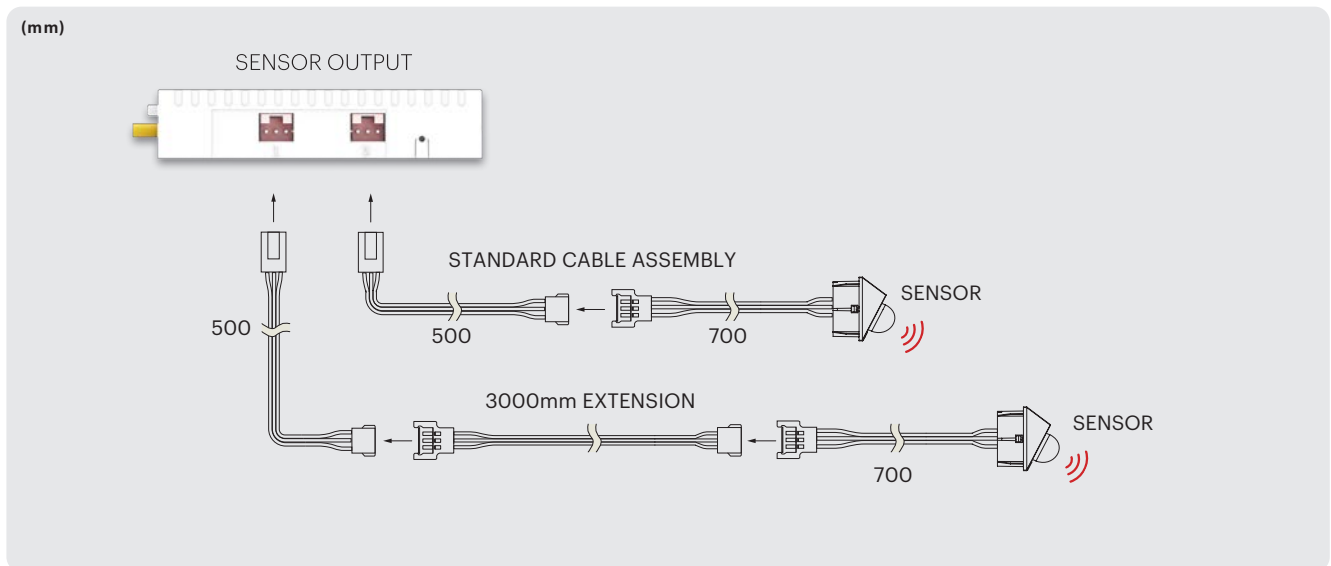


WAYS	MAX LOAD	V IN	LED	CODE
4	120 W Total 72 W Single way	24V DC	MONO	756200895

For use with lamps without integrated switching system only.



EXTRA SENSOR CABLE	CODE
3000mm	940602227



# Wired C

## CABLED SENSORS

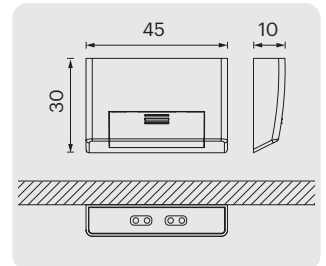
### IR DOOR WEDGE

#### CODE

Handy, small-sized door contact sensor for surface mounting; its 2 IR detectors on board make it ideal for two-door cabinets.

**941300700**

Cable hole: Ø8mm



### PIR SENSOR

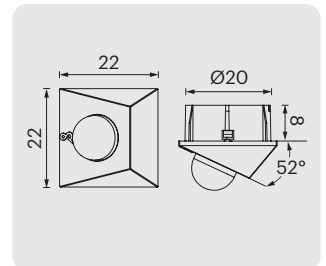
#### CODE

Motion sensor for recessed mounting.

**941300701**

Switch-off time (16 or 180 seconds, starting from last detection) selectable on the WIRED-C module. Memory of setting also in case of a power failure.

Hole: Ø20mm



### TOUCH SENSOR

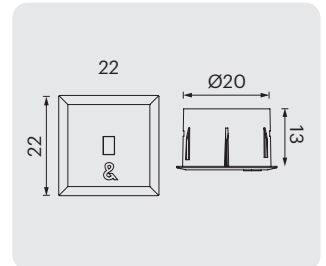
#### CODE

Touch switch for recessed mounting.

**941300702**

Long touch for a stepless dimming (10%-100%). Memory of setting also in case of a power failure.

Hole: Ø20mm



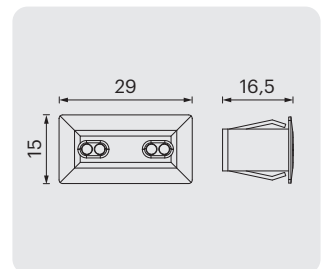
### DOUBLE IR SENSOR

#### CODE

Handy, small-sized door contact sensor for recessed mounting; its 2 IR detectors on board make it ideal for two-door cabinets.

**941300703**

Hole: 27x12mm



# LITE sensor



## 2.4GHz RADIO FREQUENCY ALL-IN ONE SENSOR

1 Channel multifunction sensor.

Simultaneously manages all lights connected to compatible LITE control modules. Can be configured for use as:

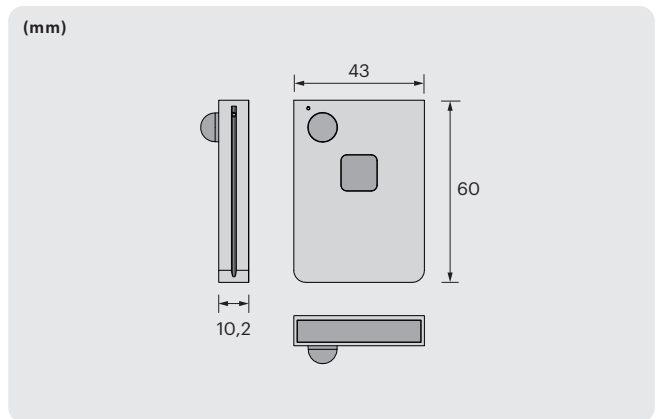
- PIR Motion Sensor
- IR Door sensor
- TOUCH Transmitter



CHANNELS	CONTROLS	CODE
1	On-Off / Dimmer Color temperature (EDC/WDC)	756200636

**RADIO RANGE:** 15m INDOOR

**BATTERY:** CR2450 - 3V INCLUDED (3 YEARS)

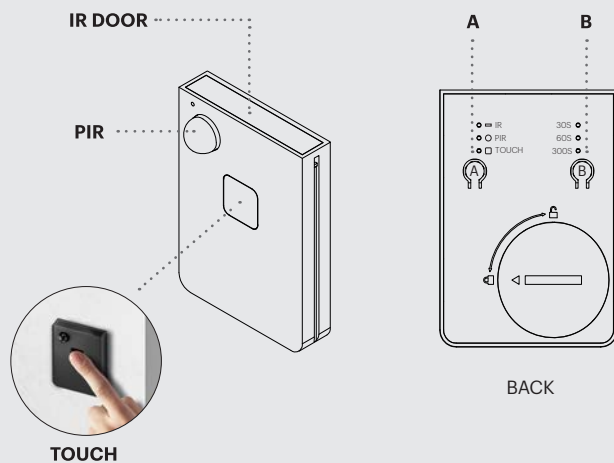


## COMPATIBLE MODULES

It is possible to pair up to 5 radio transmitters with a single receiver module.



- TOUCH**
  - SINGLE PRESS: On/Off.
  - LONG PRESS: Progressive Dimmer.
- Button A**
  - SINGLE PRESS: Operating mode selection: IR (door) / PIR / Touch.
  - LONG PRESS: Compatible Receiver Module pairing.
- Button B**
  - SINGLE PRESS: Auto-OFF Timing setting. IR/PIR: 30s / 60s / 300s.
  - LONG PRESS: Color Temperature adjustments (EDC/WDC Dual Color LED only).
- A + B**
  - LONG PRESS: Receiver Module un pairing.

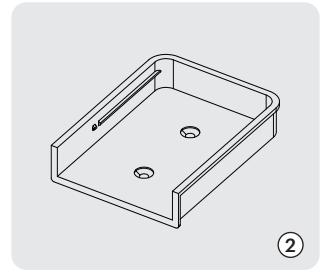
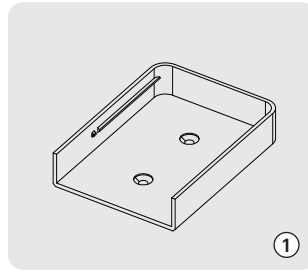


# LITE sensor

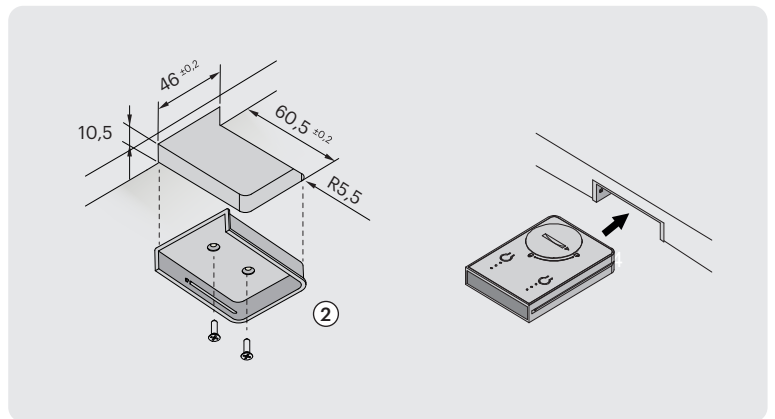
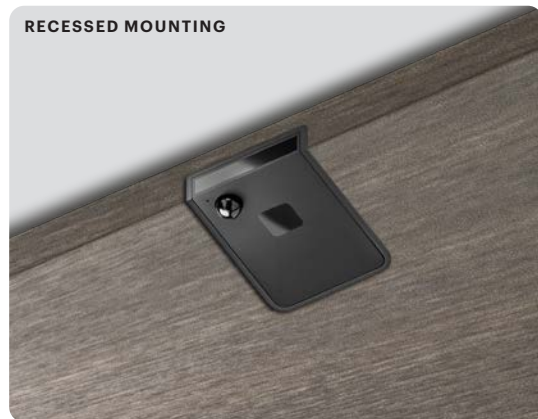
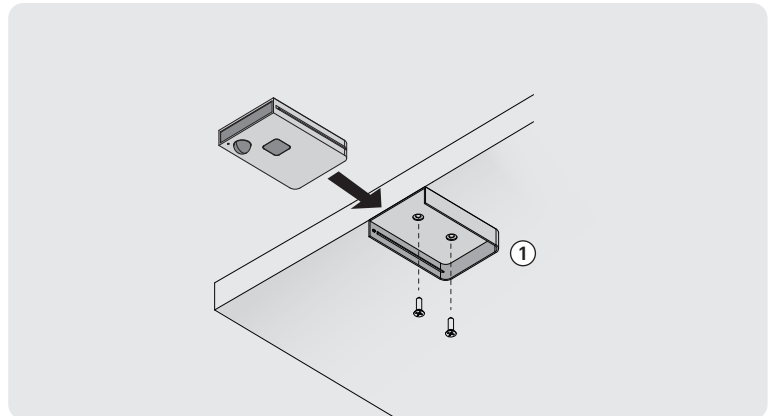
## MOUNTING SUPPORTS

For recessed or surface (wall) mounting.

INCLUDED



## INSTALLATION



# LITE remote



## 2.4GHz RADIO FREQUENCY TRANSMITTER

4 independent channels.

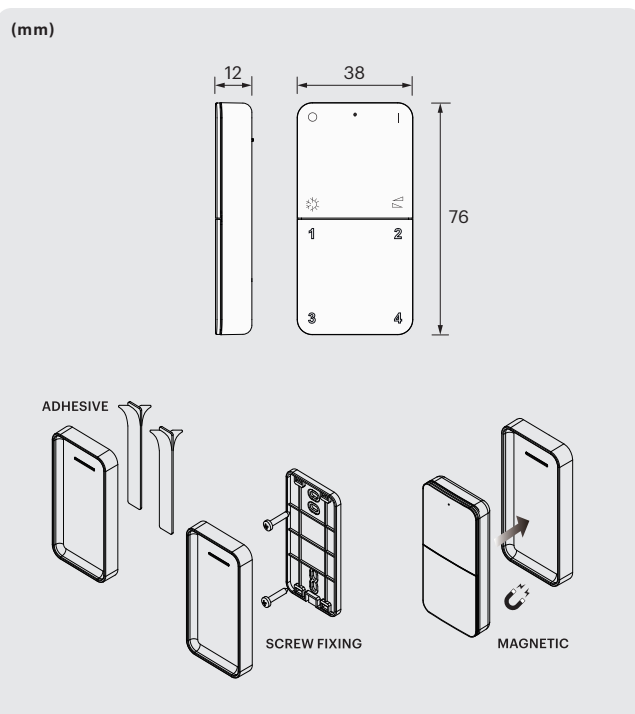
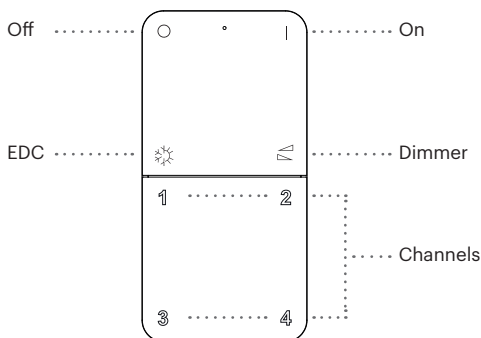
Individually controls all lamps connected to compatible Smart control modules (up to 6 modules).



CHANNELS	CONTROLS	CODE
4	On-Off / Dimmer Color temperature (EDC/WDC)	01 756200639 03 756200638

RADIO RANGE: 15m INDOOR

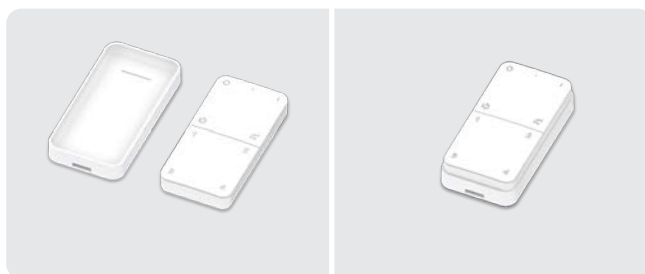
BATTERY: CR2032 - 3V INCLUDED (3 YEARS)



## MAGNETIC WALL SUPPORT

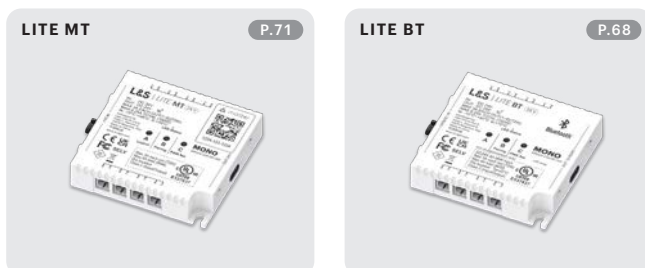
Installation by means of screws or double-sided tape (provided)

INCLUDED



## COMPATIBLE RECEIVER MODULES

It is possible to pair up to 5 radio transmitters with a single receiver module.



# mini IR



## SWITCHING SYSTEM FOR LED LAMPS

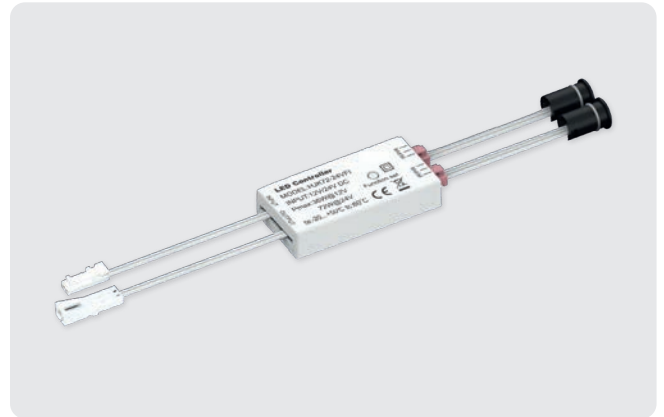
V IN/OUT: (24V) DC

Control unit with n°2 cabled IR Sensors for recessed mounting (hole: Ø10mm). MONO LED only.

Direct connection to Driver MEC Lite (not included) exclusively via integrated power distributor.

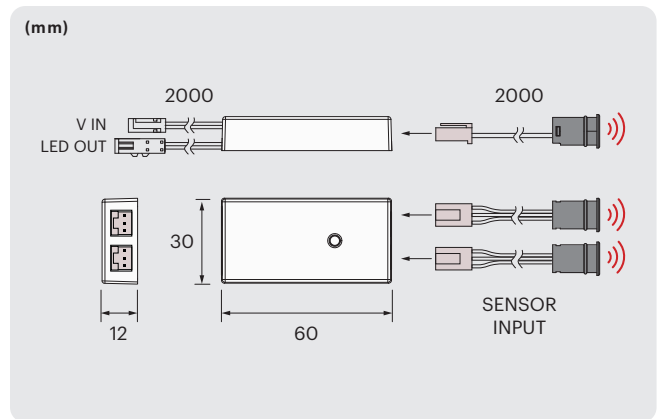
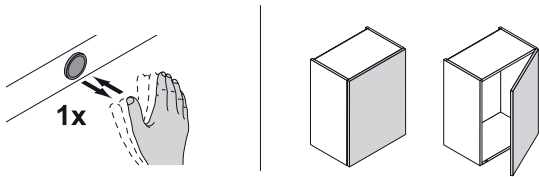
Two different operating modes (mode selection via button on the control unit):

- Sensore a battente d'anta: On-Off (Auto Off: 10min.)
- Proximity sensor (touchless): On-Off / Dimmer. Detects hand movements

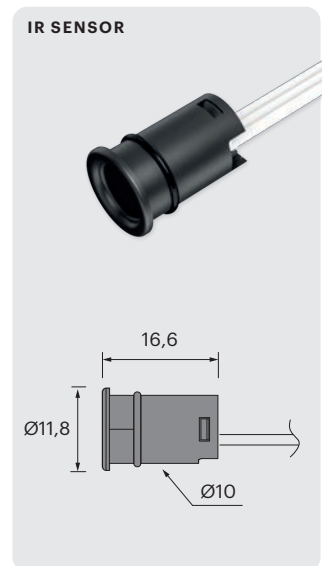
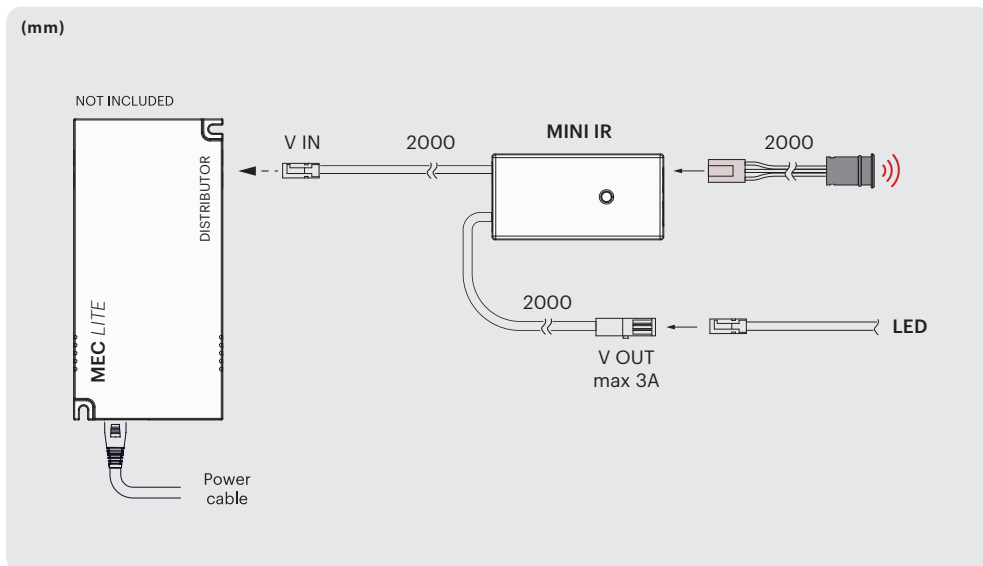
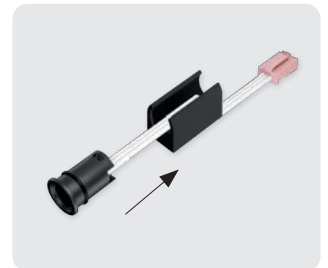


WAYS	V IN	MAX. LOAD	SENSORS N°	CODE
1	24V DC	72W (3A)	1x sensor	60000017
			2x sensors	60000018

For use with lamps without integrated switching system only.



OPTIONAL HOUSING	CODE
For surface mounting installation	943900004



The information in this catalog may be subject to errors. The items, their characteristics, data, and dimensions contained therein are not binding and may be subject to change without notice from the company.

## L&S ITALIA SPA

## SUBSIDIARES

---

### ITALY

#### Headquarters

Via L. Zanussi, 8  
Maron di Brugnera (PN)  
+39 0434 616611  
info@ls-light.com

#### Varese

Via Pacinotti, 64  
Varese (VA)  
+39 0332 491247

#### Tavullia

Via del Lavoro, 4  
Tavullia (PU)  
+39 0721 901123

### GERMANY

#### L&S Deutschland GmbH

Daimlerring, 34  
Rödinghausen  
+49 5223 8790-0  
info@ls-light.de

### CHINA

#### LS Lighting

(Shanghai) Co., Ltd.  
No. 255, LongPan Rd.,  
Malu Town,  
Jiading District, Shanghai  
+86 021 6915 3825  
info.china@ls-light.com

### USA

#### L&S Lighting Corporation

1505 Pavilion Place, Suite A  
Norcross, Georgia  
+1 877 877 0757  
info.us@ls-light.com



**LIGHT&SPACE**

[ls-light.com](http://ls-light.com)